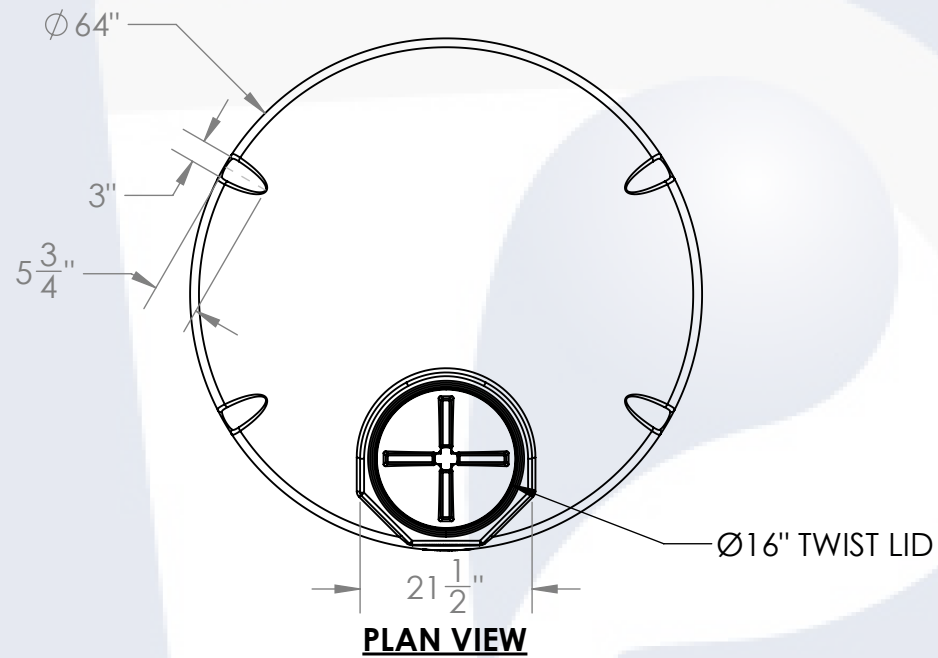
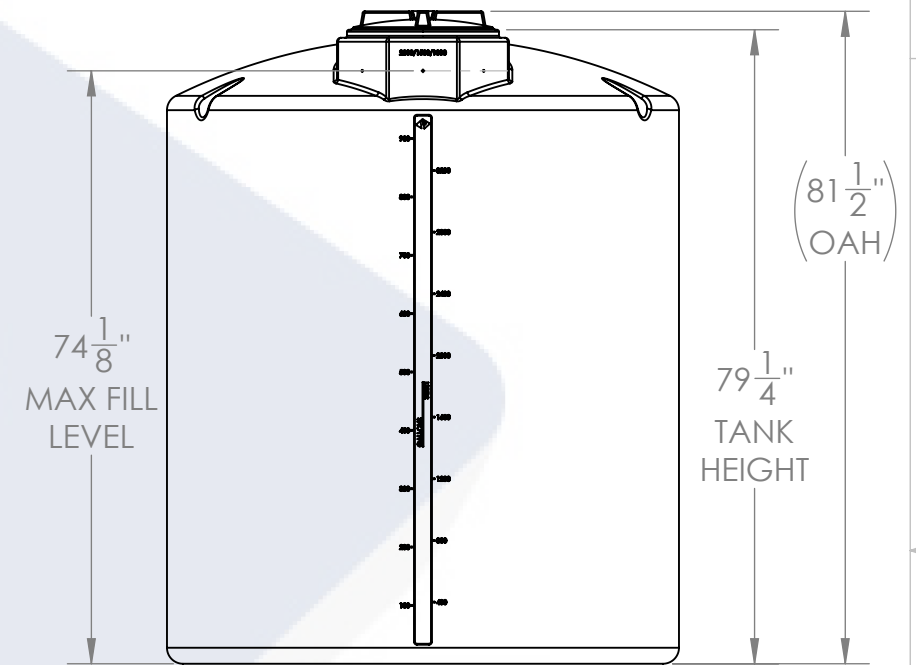


**ISOMETRIC VIEW  
(FRONT)**



**PLAN VIEW**



**FRONT VIEW**

**NOTES:**

1. CAPACITY: 1000 GAL. NOMINAL
2. TANK MATERIAL OPTIONS:  
LPE 1.5, LPE 1.9, XLPE, FDA WATER, PPL, PVDF
3. SERVICE PRESSURE: ATMOSPHERIC
4. NSF/ANSI STANDARD 61 CERTIFIED
5. AVAILABLE W/FRP WRAP  
CONTACT CUSTOMER SERVICE FOR MORE INFO

**PROPRIETARY AND CONFIDENTIAL**  
THE INFORMATION CONTAINED IN THIS DRAWING IS THE SOLE PROPERTY OF PEABODY ENGINEERING. ANY REPRODUCTION IN PART OR AS A WHOLE WITHOUT THE WRITTEN PERMISSION OF PEABODY ENGINEERING IS PROHIBITED.

UNLESS OTHERWISE SPECIFIED:		NAME	DATE	<b>HPTC-34039-PB</b>		
DIMENSIONS ARE IN INCHES TOLERANCES: ±1/4" ANGULAR: ± .5° ONE PLACE DECIMAL: ± .25 TWO PLACE DECIMAL: ± .125 THREE PLACE DECIMAL: ± .063		DRAWN	SMF 04/05/23			
TANK MATERIAL:		CHECKED		PROJECT: <b>PROCHEM® TANKS</b>		
INNER TANK S/N:		ENG APPR.		CUSTOMER: <b>PEABODY STANDARD</b>		
OUTER TANK S/N:		MFG APPR.		SITE/LOCATION: -		
CUSTOMER PO#		Q.A.		SALES ORDER: <b>SEE TABLE</b>		
DO NOT SCALE DRAWING				SIZE	DESC.	REV.
				<b>B</b>	<b>Ø64" X 82" 1000G PROCHEM TANK</b>	<b>A</b>
		SCALE: 1:24		SHEET 1 OF 1		