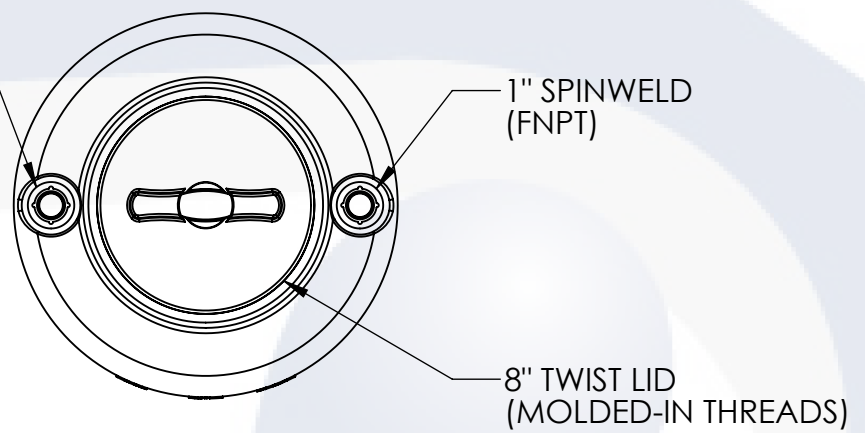
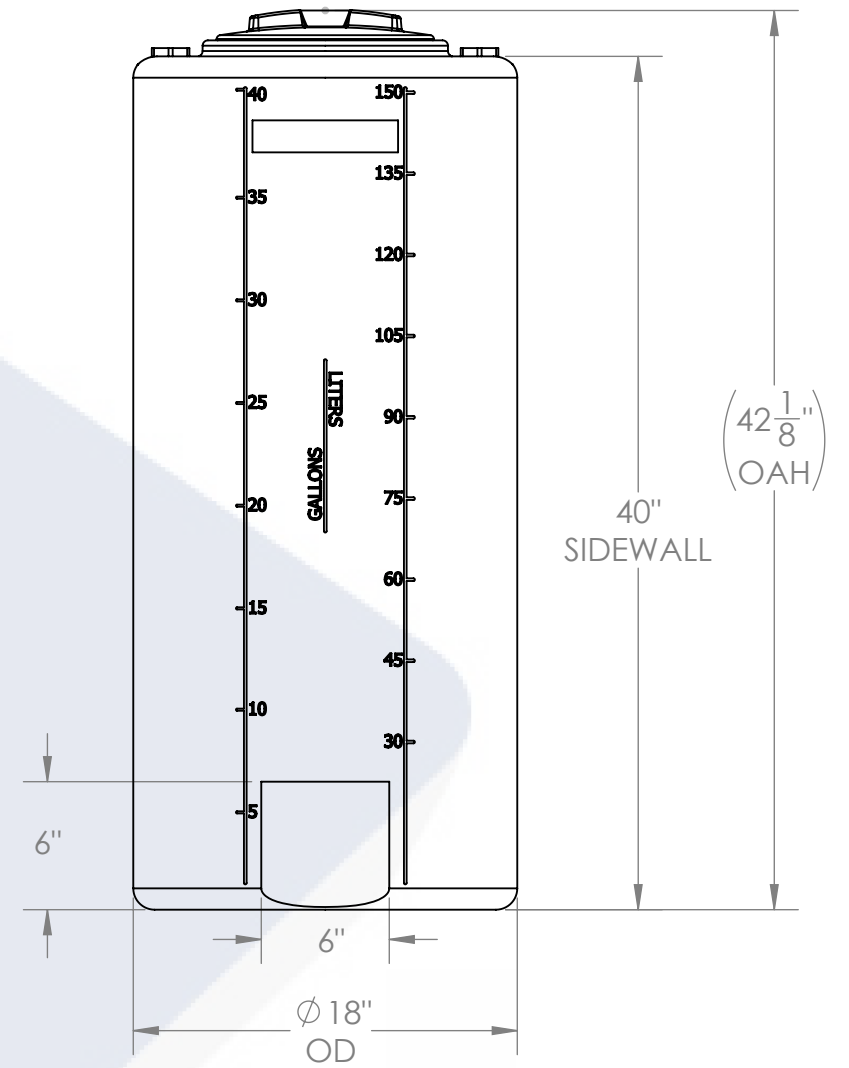


**ISOMETRIC VIEW
(FRONT)**



TOP VIEW



FRONT VIEW

40 GAL PROCHEM® PROCESS TANK, Ø18" X 40"	PART NUMBER	
	PROCESS CHEMICAL (NATURAL)	POTABLE WATER (BLACK)
LPE (1.0)	01-34826	01-34827
LPE (1.5)	01-34823	N/A
LPE (1.9)	01-34824	N/A
XLPE (1.9)	01-34827	N/A

ALTERNATIVE MATERIALS, COLOR, AND ACCESSORIES ARE AVAILABLE. CALL FOR ADDITIONAL INFO

- NOTES:**
- CAPACITY: 40 GAL. NOMINAL
 - TANK MATERIAL OPTIONS: LPE 1.5, LPE 1.9, XLPE, FDA WATER, PPL, PVDF
 - SERVICE PRESSURE: ATMOSPHERIC
 - NSF/ANSI STANDARD 61 CERTIFIED
 - AVAILABLE W/FRP WRAP
CONTACT CUSTOMER SERVICE FOR MORE INFO

Heritage Products **Sales@heritagepro.com**

UNLESS OTHERWISE SPECIFIED:		NAME	DATE	HPTC-34826-PB
DIMENSIONS ARE IN INCHES TOLERANCES: ±1/4" ANGULAR: ±.5° ONE PLACE DECIMAL: ±.25 TWO PLACE DECIMAL: ±.125 THREE PLACE DECIMAL: ±.063		SMF	09/13/22	
TANK MATERIAL:	LPE			PROJECT: PROCHEM® TANKS
INNER TANK S/N:				CUSTOMER:
OUTER TANK S/N:				SITE/LOCATION: -
CUSTOMER PO#				SALES ORDER: SEE TABLE
DO NOT SCALE DRAWING				SIZE: B DESC: 40 GAL PROCHEM® PROCESS TANK, Ø18" X 40" REV: B
			SCALE: 1:9	SHEET 1 OF 1

PROPRIETARY AND CONFIDENTIAL
THE INFORMATION CONTAINED IN THIS DRAWING IS THE SOLE PROPERTY OF PEABODY ENGINEERING. ANY REPRODUCTION IN PART OR AS A WHOLE WITHOUT THE WRITTEN PERMISSION OF IS PROHIBITED.

