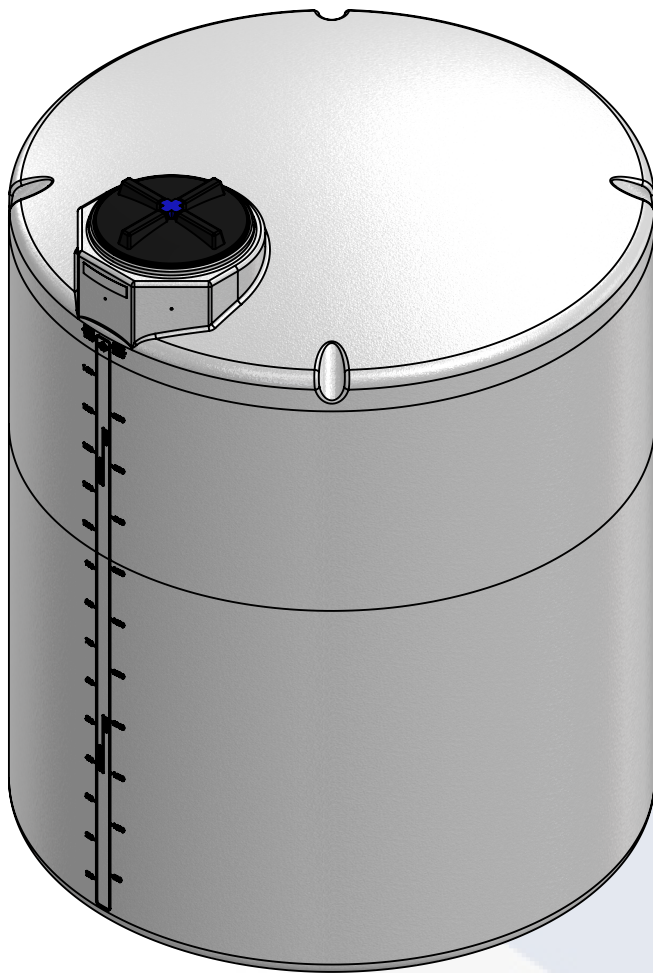
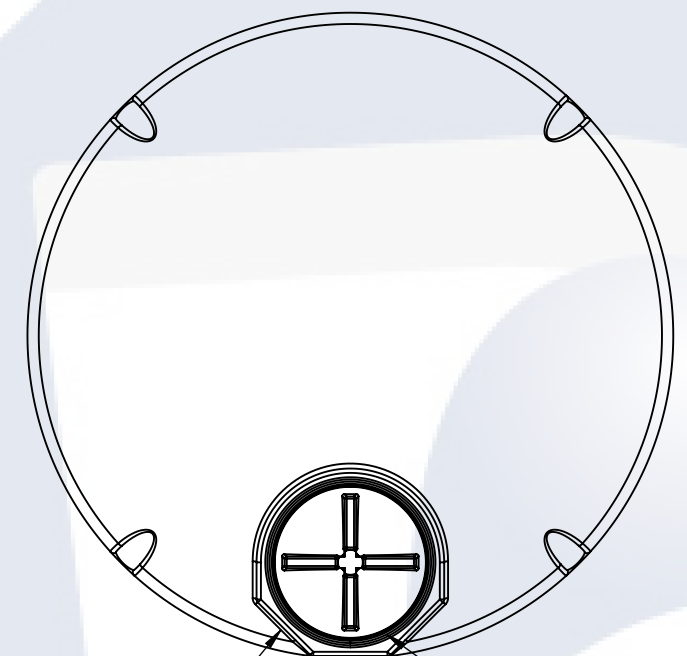


D  
C  
B  
A

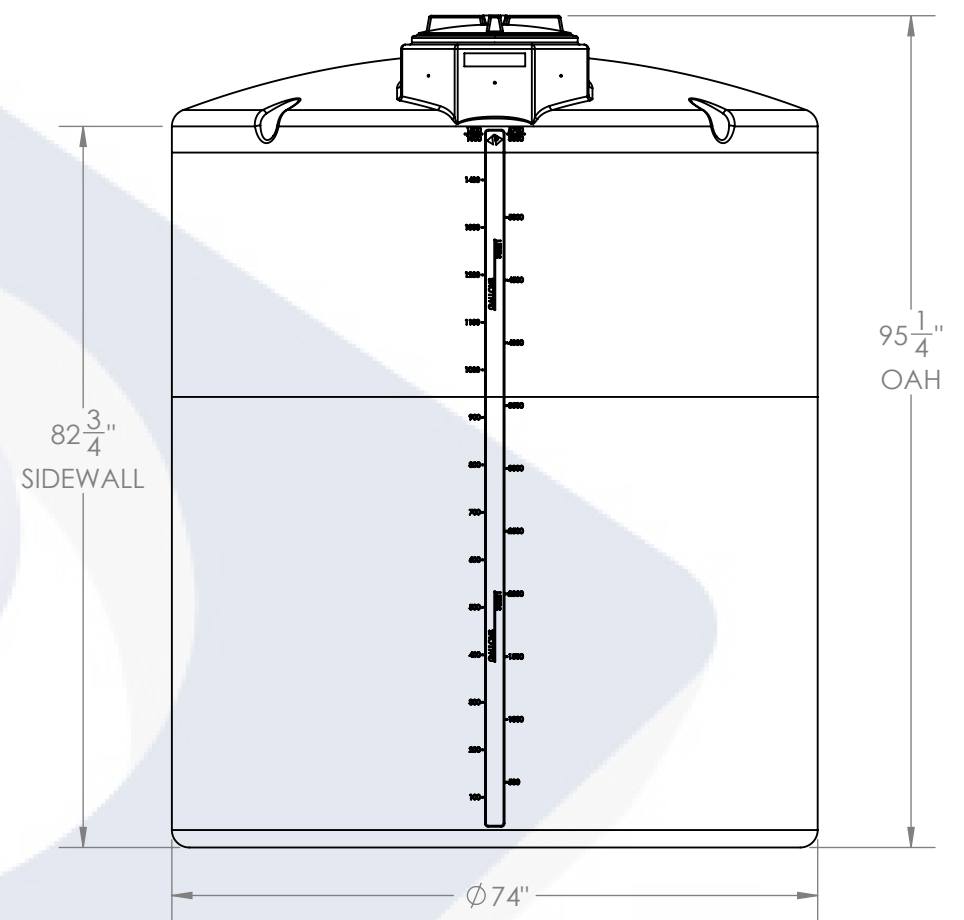


**ISOMETRIC VIEW**



**PLAN VIEW**

ACCEPTS 2" BULKHEAD, TYP.      16" TWIST LID  
ACCEPTS 3" BULKHEAD



**FRONT VIEW**

1500 GAL PROCHEM® PROCESS TANK Ø74" X 95"	PART NUMBER	
	PROCESS CHEMICAL (NATURAL)	POTABLE WATER (BLACK)
LPE (1.0)	01-34038	01-33053
LPE (1.5)	01-33050	N/A
LPE (1.9)	01-333051	N/A
XLPE (1.9)	01-33052	N/A

*ALTERNATIVE MATERIALS, COLOR, AND ACCESSORIES ARE AVAILABLE. CALL FOR ADDITIONAL INFO*

- NOTES:**
- CAPACITY: 1500 GAL. NOMINAL
  - TANK MATERIAL OPTIONS:  
LPE 1.5, LPE 1.9, XLPE, FDA WATER, PPL, PVDF
  - SERVICE PRESSURE: ATMOSPHERIC
  - NSF/ANSI STANDARD 61 CERTIFIED
  - AVAILABLE W/FRP WRAP  
CONTACT CUSTOMER SERVICE FOR MORE INFO

**PROPRIETARY AND CONFIDENTIAL**  
THE INFORMATION CONTAINED IN THIS DRAWING IS THE SOLE PROPERTY OF PEABODY ENGINEERING. ANY REPRODUCTION IN PART OR AS A WHOLE WITHOUT THE WRITTEN PERMISSION OF IS PROHIBITED.

UNLESS OTHERWISE SPECIFIED:  
DIMENSIONS ARE IN INCHES  
TOLERANCES: ±1/4"  
ANGULAR: ±.5°  
ONE PLACE DECIMAL: ±.25  
TWO PLACE DECIMAL: ±.125  
THREE PLACE DECIMAL: ±.063

TANK MATERIAL: **MDPE**  
INNER TANK S/N:  
OUTER TANK S/N:  
CUSTOMER PO#

DO NOT SCALE DRAWING

Heritage Products

Sales@heritagepro.com

NAME	DATE	<b>HPTC-34038-PB</b>	
DRAWN: <b>NRG</b>	2/4/21	PROJECT:	<b>PROCHEM® TANKS</b>
CHECKED		CUSTOMER:	
ENG APPR.		SITE/LOCATION:	
MFG APPR.		SALES ORDER:	-
Q.A.		SIZE	DESC.
		<b>B</b>	<b>1500 GAL PROCHEM® TANK, Ø72" x 68"</b>
		SCALE: 1:22	REV. -
		SHEET 1 OF 1	