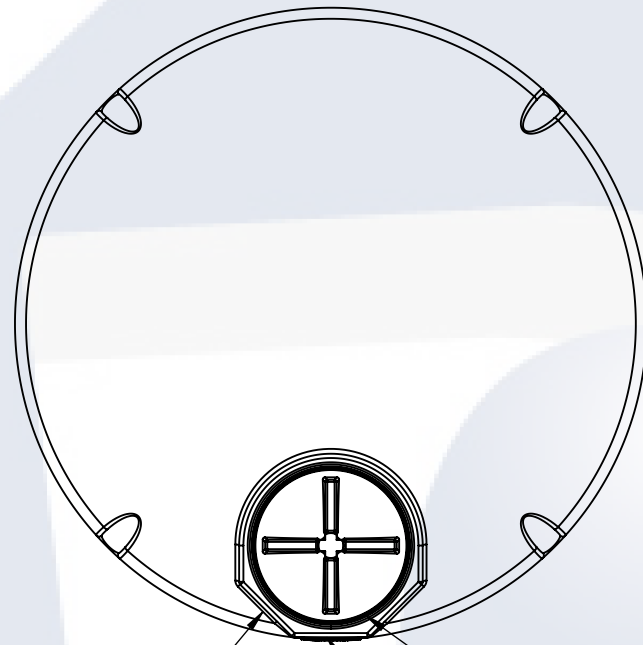
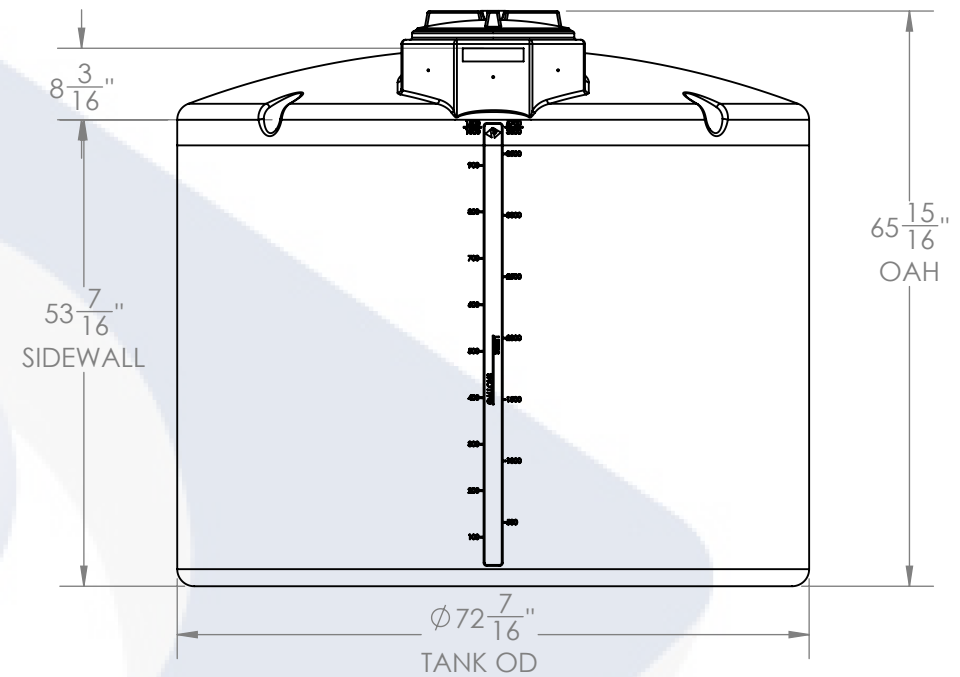


ISOMETRIC VIEW



PLAN VIEW

ACCEPTS 2" BULKHEAD, TYP. 16" TWIST LID
ACCEPTS 3" BULKHEAD



FRONT VIEW

1000 GAL PROCHEM® PROCESS TANK Ø72.5 X 68"	PART NUMBER	
	PROCESS CHEMICAL (NATURAL)	POTABLE WATER (BLACK)
LPE (1.0)	01-34037	01-33049
LPE (1.5)	01-33046	N/A
LPE (1.9)	01-33047	N/A
XLPE (1.9)	01-33048	N/A

ALTERNATIVE MATERIALS, COLOR, AND ACCESSORIES ARE AVAILABLE. CALL FOR ADDITIONAL INFO

NOTES:

- CAPACITY: 1000 GAL. NOMINAL
- TANK MATERIAL OPTIONS: LPE 1.5, LPE 1.9, XLPE, FDA WATER, PPL, PVDF
- SERVICE PRESSURE: ATMOSPHERIC
- NSF/ANSI STANDARD 61 CERTIFIED
- AVAILABLE W/FRP WRAP
CONTACT CUSTOMER SERVICE FOR MORE INFO

Heritage Products

Sales@heritagepro.com

UNLESS OTHERWISE SPECIFIED:		NAME	DATE	HPTC-34037-PB
DIMENSIONS ARE IN INCHES TOLERANCES: ±1/4" ANGULAR: ±.5° ONE PLACE DECIMAL: ±.25 TWO PLACE DECIMAL: ±.125 THREE PLACE DECIMAL: ±.063		DRAWN	AAF 08/14/18	
TANK MATERIAL: LLDPE	INNER TANK S/N:	CHECKED		PROJECT: PROCHEM® TANKS
OUTER TANK S/N:	CUSTOMER PO#	ENG APPR.		CUSTOMER:
DO NOT SCALE DRAWING		MFG APPR.		SITE/LOCATION: FOB: CORONA, CA
		Q.A.		SALES ORDER: -
				SIZE B DESC. 1000 GAL PROCHEM® TANK, Ø72.5" x 68" REV. -
				SCALE: 1:22 SHEET 1 OF 1

PROPRIETARY AND CONFIDENTIAL
THE INFORMATION CONTAINED IN THIS DRAWING IS THE SOLE PROPERTY OF PEABODY ENGINEERING. ANY REPRODUCTION IN PART OR AS A WHOLE WITHOUT THE WRITTEN PERMISSION OF IS PROHIBITED.

