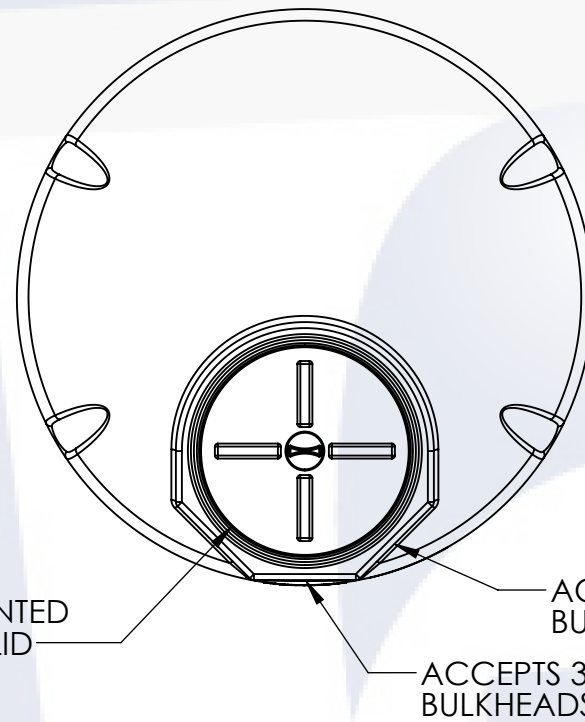


**ISOMETRIC VIEW**



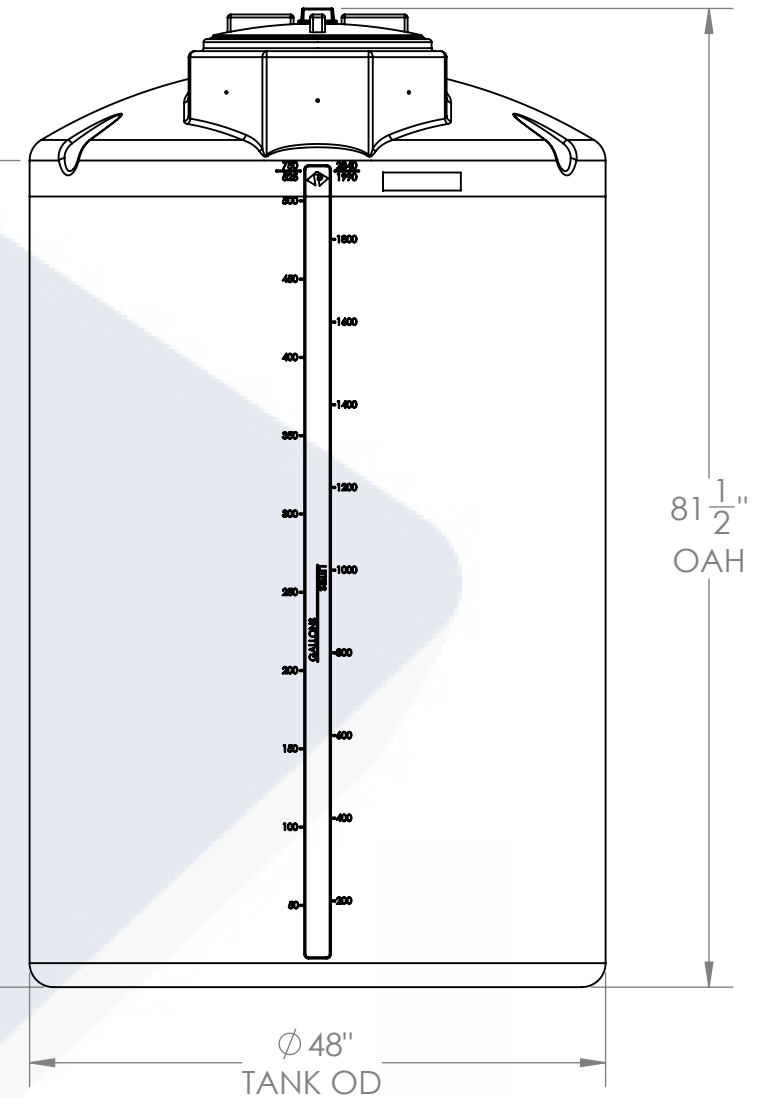
**PLAN VIEW**

16" VENTED TWIST LID

ACCEPTS 3" BULKHEADS

ACCEPTS 2" BULKHEADS, TYP.

68 <sup>7</sup>/<sub>8</sub>"  
SIDEWALL



**FRONT VIEW**

81 <sup>1</sup>/<sub>2</sub>"  
OAH

Ø 48"  
TANK OD

525 GAL PROCHEM® PROCESS TANK, Ø48" x 82"	PART NUMBER	
	PROCESS CHEMICAL (NATURAL)	POTABLE WATER (BLACK)
LDPE (1.0)	01-34034	01-31874
LDPE (1.5)	01-31278	N/A
LDPE (1.9)	01-31270	N/A
XLPE (1.9)	01-31330	N/A

ALTERNATIVE MATERIALS, COLOR, AND ACCESSORIES ARE AVAILABLE. CALL FOR ADDITIONAL INFO

**NOTES:**

1. CAPACITY: 525 GAL. NOMINAL
2. TANK MATERIAL OPTIONS:  
LPE 1.5, LPE 1.9, XLPE, FDA WATER, PPL, PVDF
3. SERVICE PRESSURE: ATMOSPHERIC
4. NSF/ANSI STANDARD 61 CERTIFIED
5. AVAILABLE W/FRP WRAP  
CONTACT CUSTOMER SERVICE FOR MORE INFO

**PROPRIETARY AND CONFIDENTIAL**  
THE INFORMATION CONTAINED IN THIS DRAWING IS THE SOLE PROPERTY OF PEABODY ENGINEERING. ANY REPRODUCTION IN PART OR AS A WHOLE WITHOUT THE WRITTEN PERMISSION OF S IS PROHIBITED.

UNLESS OTHERWISE SPECIFIED:

DIMENSIONS ARE IN INCHES  
TOLERANCES: ±1/4"  
ANGULAR: ± .5°  
ONE PLACE DECIMAL: ± .25  
TWO PLACE DECIMAL: ± .125  
THREE PLACE DECIMAL: ± .063

TANK MATERIAL:

INNER TANK S/N:

OUTER TANK S/N:

CUSTOMER PO#

DO NOT SCALE DRAWING

	NAME	DATE
DRAWN	AAF	11/01/19
CHECKED		
ENG APPR.		
MFG APPR.		
Q.A.		



**HPTC-34034-PB**

PROJECT: **PROCHEM® TANKS**

CUSTOMER:

SITE/LOCATION: -

DRAWING#: **SEE TABLE**

SIZE	DESC.	REV.
<b>B</b>	<b>525 GAL PROCHEM® PROCESS TANK, Ø48" x 82"</b>	<b>A</b>

SCALE: 1:16

SHEET 1 OF 1