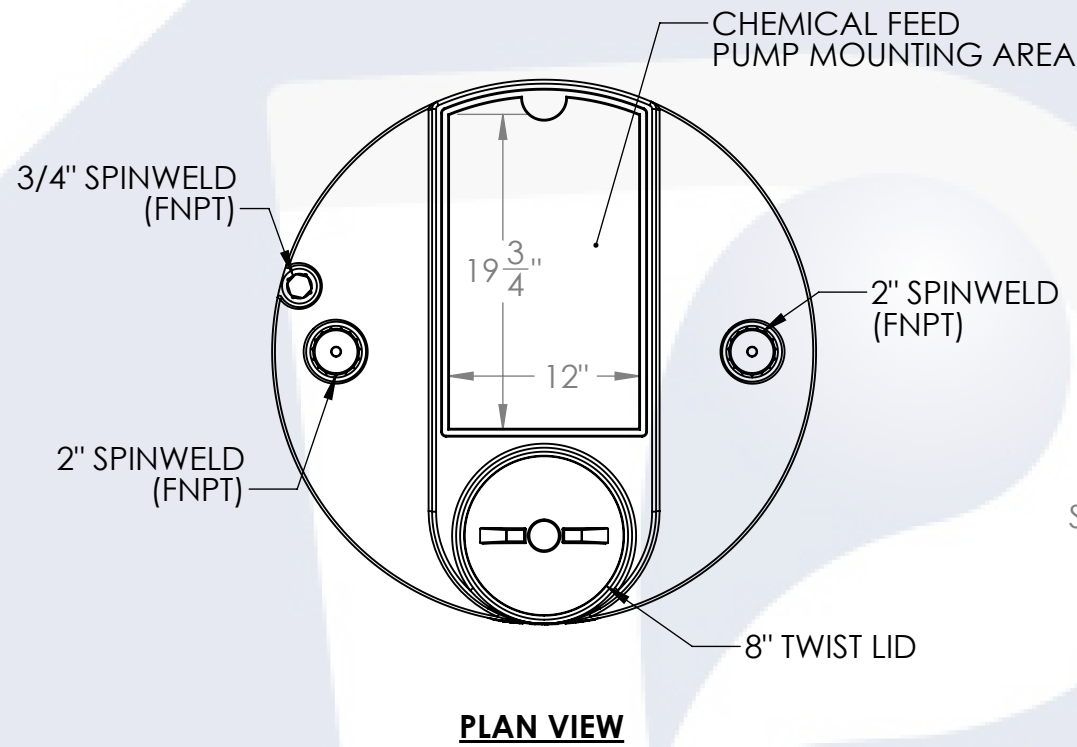
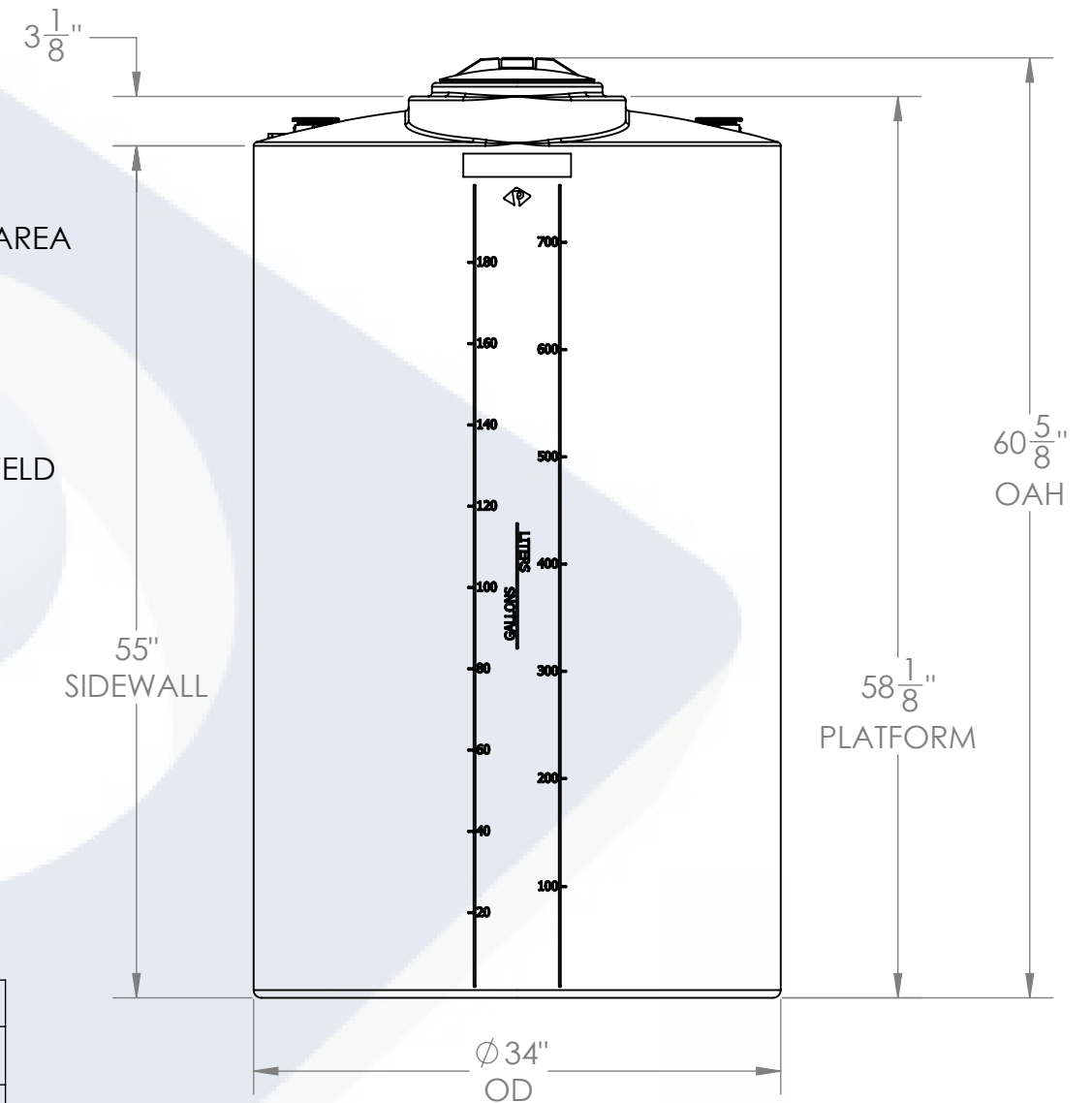


ISOMETRIC VIEW



PLAN VIEW



FRONT VIEW

| 200 GAL PROCHEM® PROCESS TANK, Ø34" x 60.5" | PART NUMBER | |
|---|----------------------------|-----------------------|
| | PROCESS CHEMICAL (NATURAL) | POTABLE WATER (BLACK) |
| LPE (1.0) | 01-34031 | 01-31871 |
| LPE (1.5) | 01-31276 | N/A |
| LPE (1.9) | 01-31266 | N/A |
| XLPE (1.9) | 01-31326 | N/A |

ALTERNATIVE MATERIALS, COLOR, AND ACCESSORIES ARE AVAILABLE. CALL FOR ADDITIONAL INFO

NOTES:

- CAPACITY: 200 GAL. NOMINAL
- TANK MATERIAL OPTIONS: LPE 1.5, LPE 1.9, XLPE, FDA WATER, PPL, PVDF
- SERVICE PRESSURE: ATMOSPHERIC
- NSF/ANSI STANDARD 61 CERTIFIED
- AVAILABLE W/FRP WRAP
CONTACT CUSTOMER SERVICE FOR MORE INFO

PROPRIETARY AND CONFIDENTIAL
THE INFORMATION CONTAINED IN THIS DRAWING IS THE SOLE PROPERTY OF PEABODY ENGINEERING. ANY REPRODUCTION IN PART OR AS A WHOLE WITHOUT THE WRITTEN PERMISSION OF IS PROHIBITED.

UNLESS OTHERWISE SPECIFIED:
DIMENSIONS ARE IN INCHES
TOLERANCES: ±1/4"
ANGULAR: ±.5°
ONE PLACE DECIMAL: ±.25
TWO PLACE DECIMAL: ±.125
THREE PLACE DECIMAL: ±.063

TANK MATERIAL:
INNER TANK S/N:
OUTER TANK S/N:
CUSTOMER PO#

DO NOT SCALE DRAWING

| | NAME | DATE |
|-----------|------|----------|
| DRAWN | AAF | 11/01/19 |
| CHECKED | | |
| ENG APPR. | | |
| MFG APPR. | | |
| Q.A. | | |



| | | |
|--------------------------------|--|--------------|
| HPTC-34031-PB | | |
| PROJECT: PROCHEM® TANKS | | |
| CUSTOMER: | | |
| SITE/LOCATION: - | | |
| SALES ORDER: SEE TABLE | | |
| SIZE | DESC. | REV. |
| B | 200 GAL PROCHEM® PROCESS TANK, Ø34" x 60.5" | C |
| SCALE: 1:12 | | SHEET 1 OF 1 |