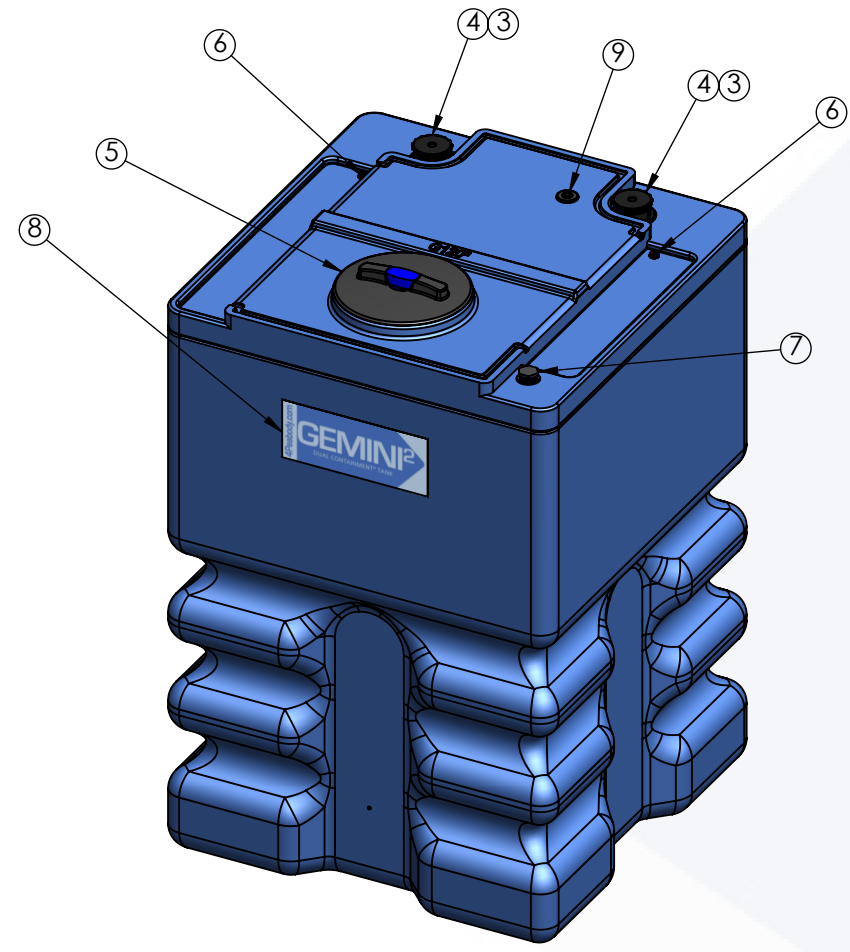


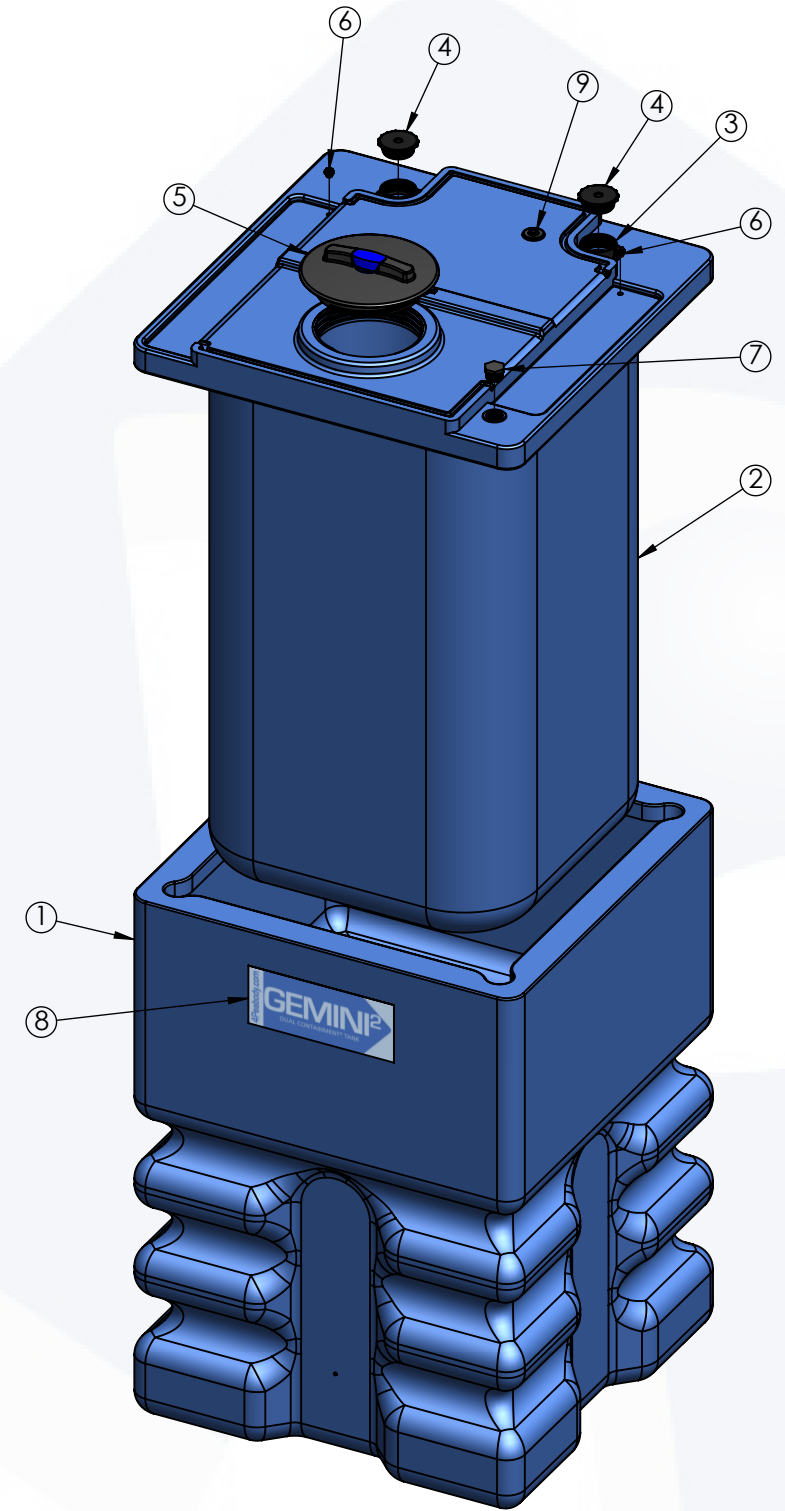
120 GALLON GEMINI <sup>2</sup>	PART NUMBER	
	BLUE	NATURAL
LPE (1.5)	01-32973	01-32974
LPE (1.9)	01-32975	01-32976
XLPE (1.5)	N/A	01-32978
XLPE (1.9)	N/A	01-32980

ALTERNATE CONFIGURATION TO MEET NSF / ANSI STANDARD 61 AVAILABLE

TOP LEVEL ASSEMBLY		
ITEM NO.	DESCRIPTION	Default/QTY.
1	120G GEMINI <sup>2</sup> , SECONDARY TANK	1
2	120G GEMINI <sup>2</sup> , PRIMARY TANK	1
3	Ø2" FNPT SPIN WELD FITTING, PE	2
4	Ø2" MPT PLUG, PE, BLACK	2
5	Ø8" VENTED TWIST LID ASSEMBLY	1
6	RED CAPLUG / O-RING SUB-ASSY	2
7	Ø1" PLUG, MPT, PE, BLACK	1
8	GEMINI <sup>2</sup> MOLD IN LOGO	1
9	Ø1-5/8" CAPLUG / GROMMET ASSY	1




**ISOMETRIC VIEW  
(ASSEMBLED)**



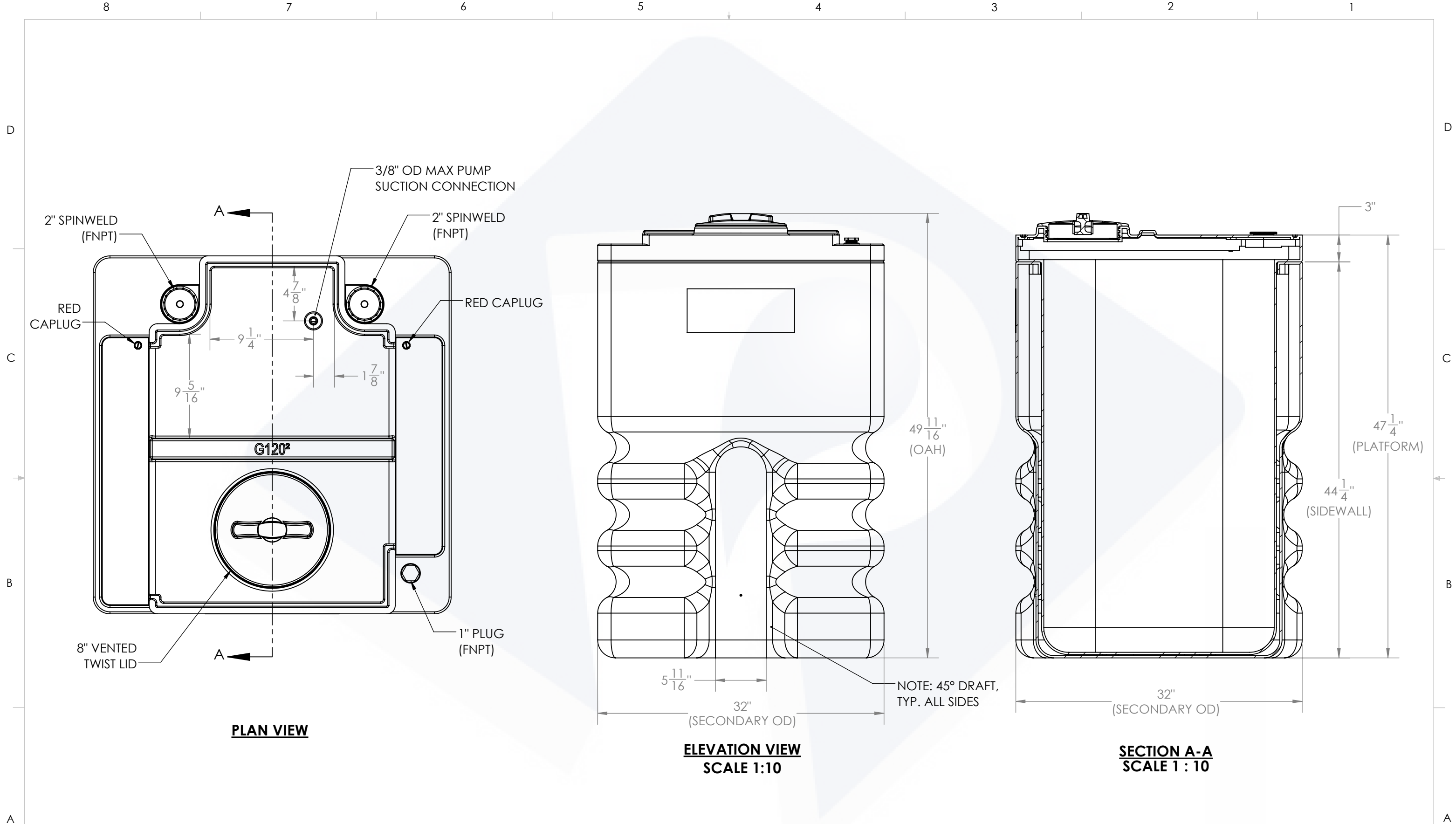
**ISOMETRIC VIEW  
(EXPLODED)**

- NOTES:
- CAPACITY: 120 GAL. NOMINAL
  - APPROXIMATE WEIGHT: 116
  - TANK MATERIAL: LPE
  - SERVICE PRESSURE: ATMOSPHERIC

**PROPRIETARY AND CONFIDENTIAL**  
THE INFORMATION CONTAINED IN THIS DRAWING IS THE SOLE PROPERTY OF PEABODY ENGINEERING. ANY REPRODUCTION IN PART OR AS A WHOLE WITHOUT THE WRITTEN PERMISSION OF PEABODY ENGINEERING IS PROHIBITED.

UNLESS OTHERWISE SPECIFIED:		NAME	DATE	
DIMENSIONS ARE IN INCHES TOLERANCES: ±1/4" ANGULAR: ± .5° ONE PLACE DECIMAL: ± .25 TWO PLACE DECIMAL: ± .125 THREE PLACE DECIMAL: ± .063		DRAWN	RFR 10/20/17	
TANK MATERIAL: LPE	INNER TANK S/N:	CHECKED		CUSTOMER: <b>PEABODY STANDARD</b>
OUTER TANK S/N:	CUSTOMER PO#	ENG APPR.		SITE/LOCATION: <b>FOB: CORONA, CA</b>
DO NOT SCALE DRAWING		MFG APPR.		SALES ORDER: <b>HPTC-32974DC-PB</b>
CALL FOR PART NUMBERS		Q.A.		SIZE: <b>B</b> DESC. <b>120 GALLON GEMINI<sup>2</sup> TANK, 32" x 32" x 50"</b> REV. <b>H</b>
		SCALE: 1:14		SHEET 1 OF 2





PROJECT:  
120g Gemini<sup>2</sup> (New), CUSTOMER Print

SCALE: 1:8

SHEET 2 OF 2