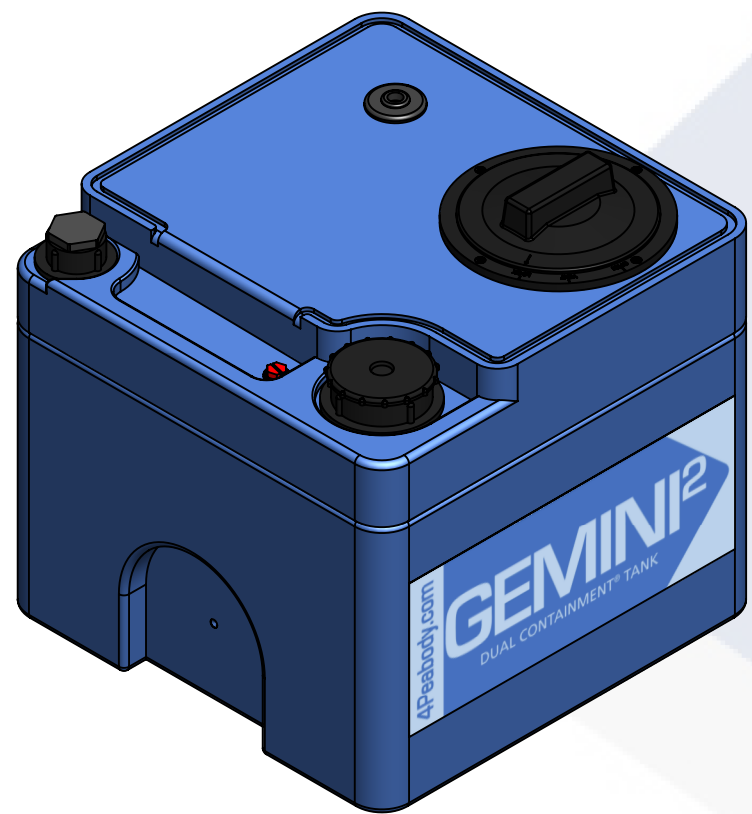


8 7 6 5 4 3 2 1

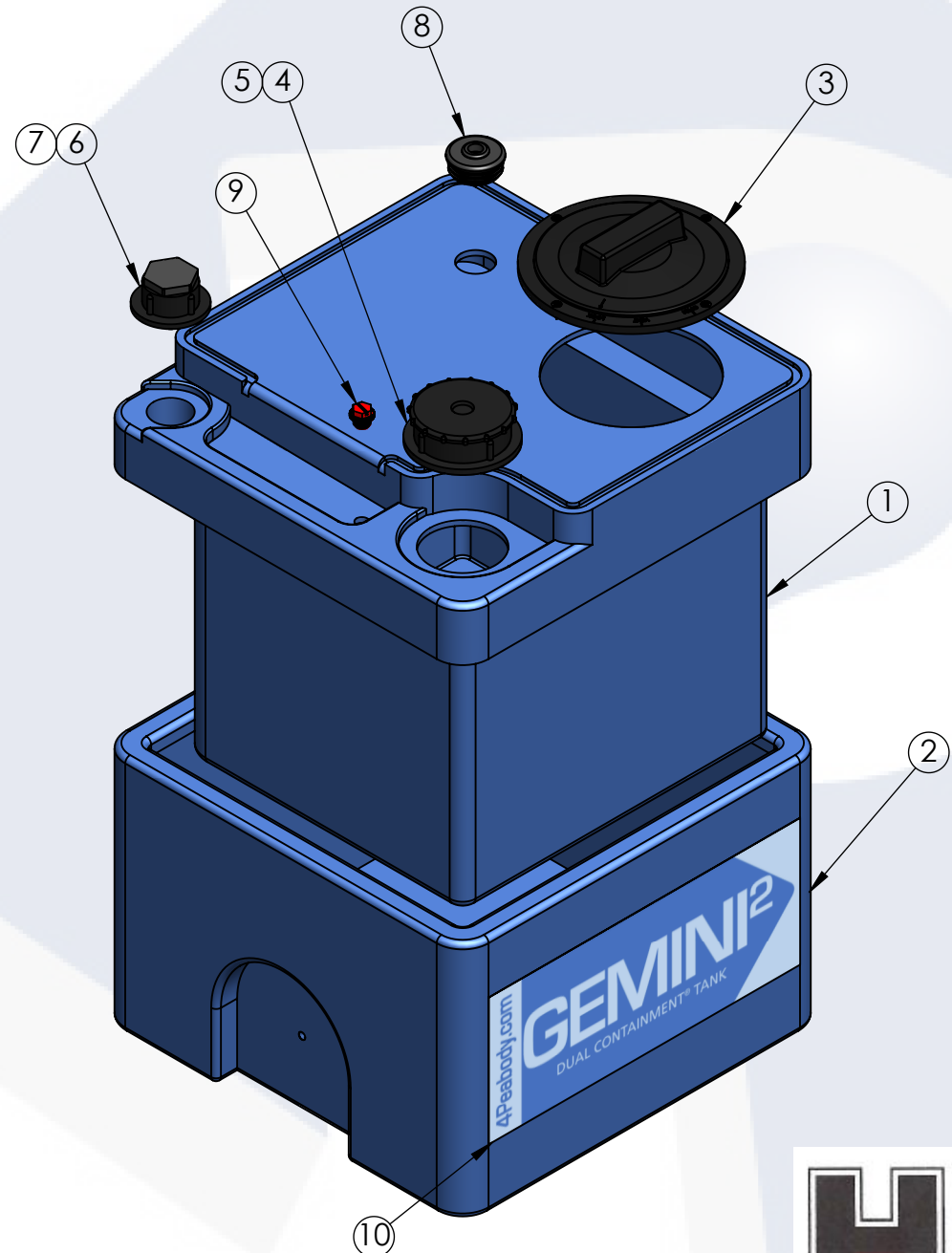
5 GALLON GEMINI ²	PART NUMBER	
	BLUE	NATURAL
LPE (1.5)	01-31922	01-31923
LPE (1.9)	01-31924	01-31925
XLPE (1.5)	N/A	01-31926
XLPE (1.9)	N/A	01-31927

ALTERNATE CONFIGURATION TO MEET NSF/ANSI STANDARD 61 AVAILABLE

TOP LEVEL ASSEMBLY		
ITEM NO.	DESCRIPTION	QTY.
1	5G GEMINI ² , PRIMARY TANK	1
2	5G GEMINI ² , SECONDARY TANK	1
3	Ø6" OD / 4" ID TWIST LID ASSEMBLY	1
4	Ø2" FNPT SPIN WELD FITTING, PE	1
5	Ø2" MPT PLUG, PE, BLACK	1
6	Ø1" FNPT SPIN WELD FITTING, PE	1
7	Ø1" PLUG, MPT, PE, BLACK	1
8	Ø1-5/8" CAPLUG / GROMMET ASSY	1
9	RED CAPLUG / O-RING SUB-ASSY	1
10	GEMINI ² MOLD IN LOGO	1



ISOMETRIC VIEW (ASSEMBLED)



ISOMETRIC VIEW (EXPLODED)

- NOTES:**
- CAPACITY: 5 GAL. NOMINAL
 - APPROXIMATE WEIGHT: 10 LBS
 - TANK MATERIAL: LLDPE W/ UV INHIBITOR
 - GASKETS: EPDM
 - SERVICE PRESSURE: ATMOSPHERIC

PROPRIETARY AND CONFIDENTIAL
 THE INFORMATION CONTAINED IN THIS DRAWING IS THE SOLE PROPERTY OF PEABODY ENGINEERING. ANY REPRODUCTION IN PART OR AS A WHOLE WITHOUT THE WRITTEN PERMISSION OF PEABODY ENGINEERING IS PROHIBITED.



UNLESS OTHERWISE SPECIFIED:
 DIMENSIONS ARE IN INCHES
 TOLERANCES: ±1/4"
 ANGULAR: ±.5°
 ONE PLACE DECIMAL: ±.25
 TWO PLACE DECIMAL: ±.125
 THREE PLACE DECIMAL: ±.063

TANK MATERIAL: LPE
 INNER TANK S/N:
 OUTER TANK S/N:
 CUSTOMER PO#

DO NOT SCALE DRAWING

	NAME	DATE
DRAWN	AAF	7/2/19
CHECKED		
ENG APPR.		
MFG APPR.		
Q.A.		

ALTERNATIVE VERSIONS

MATERIALS: XLPE, PPL, PVDF
COLORS: NATURAL, BLUE OR BLACK
AVAILABLE WITH FRP WRAP

CALL FOR PART NUMBERS

PEABODY engineering

PROJECT: **GEMINI DUAL CONTIANMENT TANKS**

CUSTOMER: **PEABODY STANDARD**

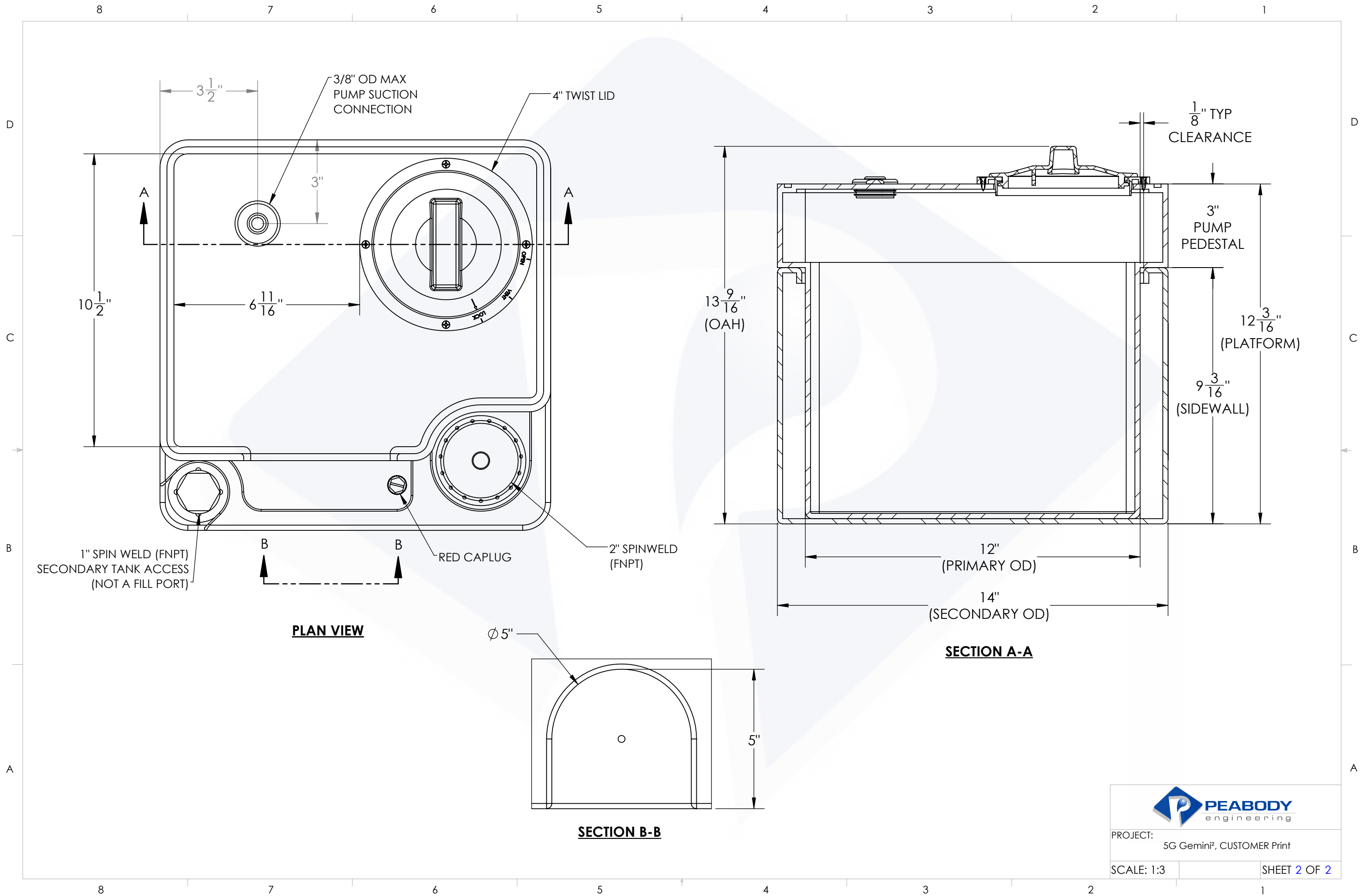
SITE/LOCATION: -

DRAWING#: **HPTC-31923DC-PB**

SIZE	DESC.	REV.
B	5 GALLON GEMINI² TANK, 14" x 14" x 13-1/2"	C

SCALE: 1:5 SHEET 1 OF 2

8 7 6 5 4 3 2 1



PROJECT: 5G Gemini², CUSTOMER Print

SCALE: 1:3

SHEET 2 OF 2