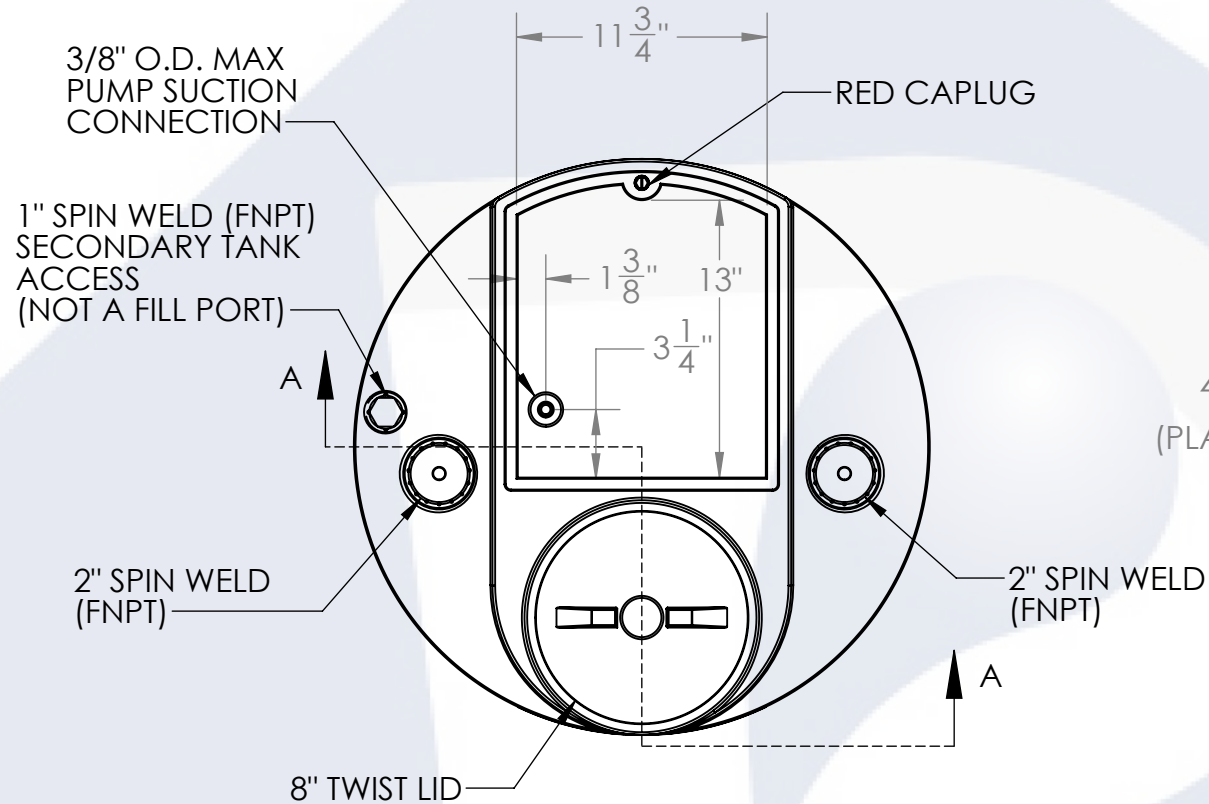
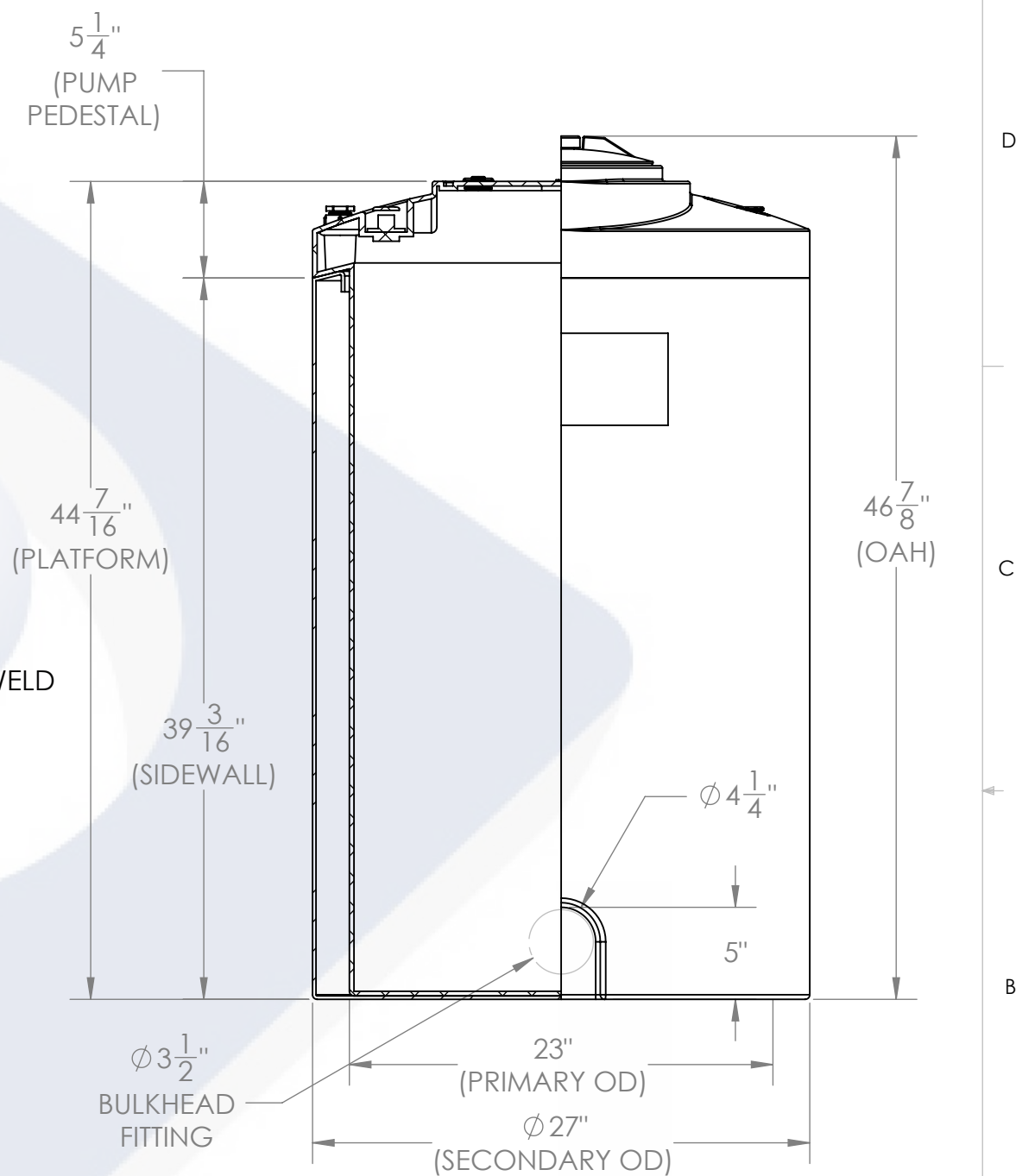




**ISOMETRIC VIEW  
(ASSEMBLED)**



**PLAN VIEW**



**SECTION A-A**

ALTERNATE CONFIGURATION TO MEET  
NSF/ANSI STANDARD 61 AVAILABLE

	PART NUMBER	
	BLUE	NATURAL
<b>65 GALLON GEMINI TANK, Ø27" x 47"</b>		
POLYETHYLENE LDPE (SD 1.5)	01-29920	01-29921
POLYETHYLENE LDPE (HD 1.9)	01-29922	01-29923
CROSSLINK XLPE (SD 1.5)	CALL FOR INFO	01-30129
CROSSLINK XLPE (HD 1.9)	CALL FOR INFO	01-30140
ALTERNATIVE MATERIALS, COLOR, AND ACCESSORIES ARE AVAILABLE. CALL FOR ADDITIONAL INFO.		

**PROPRIETARY AND CONFIDENTIAL**  
THE INFORMATION CONTAINED IN THIS DRAWING IS THE SOLE PROPERTY OF PEABODY ENGINEERING. ANY REPRODUCTION IN PART OR AS A WHOLE WITHOUT THE WRITTEN PERMISSION OF PEABODY ENGINEERING IS PROHIBITED.

UNLESS OTHERWISE SPECIFIED:  
DIMENSIONS ARE IN INCHES  
TOLERANCES: ±1/4"  
ANGULAR: ±.5°  
ONE PLACE DECIMAL: ±.25  
TWO PLACE DECIMAL: ±.125  
THREE PLACE DECIMAL: ±.063

TANK MATERIAL:  
INNER TANK S/N:  
OUTER TANK S/N:  
CUSTOMER PO#

DO NOT SCALE DRAWING

	NAME	DATE
DRAWN	AAF	8/19/19
CHECKED		
ENG APPR.		
MFG APPR.		
Q.A.		

PROJECT: <b>GEMINI DUAL CONTAINMENT TANKS</b>		
CUSTOMER: <b>PEABODY STANDARD</b>		
SITE/LOCATION: -		
SALES ORDER:		
SIZE	DESC.	REV.
<b>B</b>	<b>65 GALLON GEMINI TANK, Ø27" x 47"</b>	<b>E</b>
SCALE: 1:9		SHEET 1 OF 1