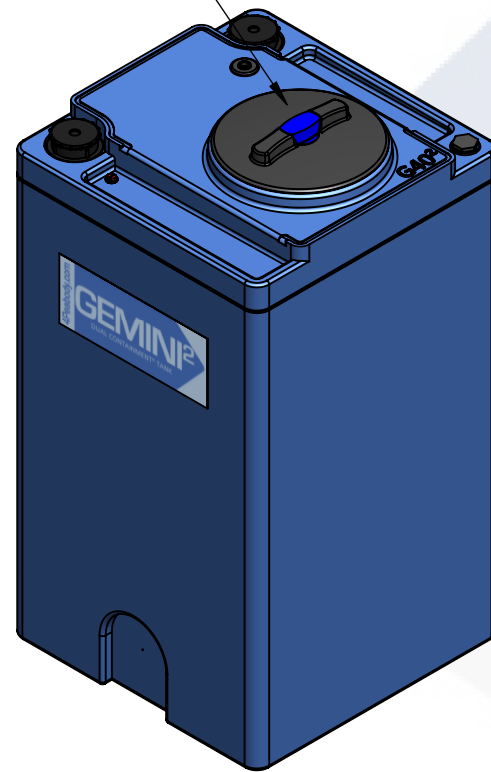
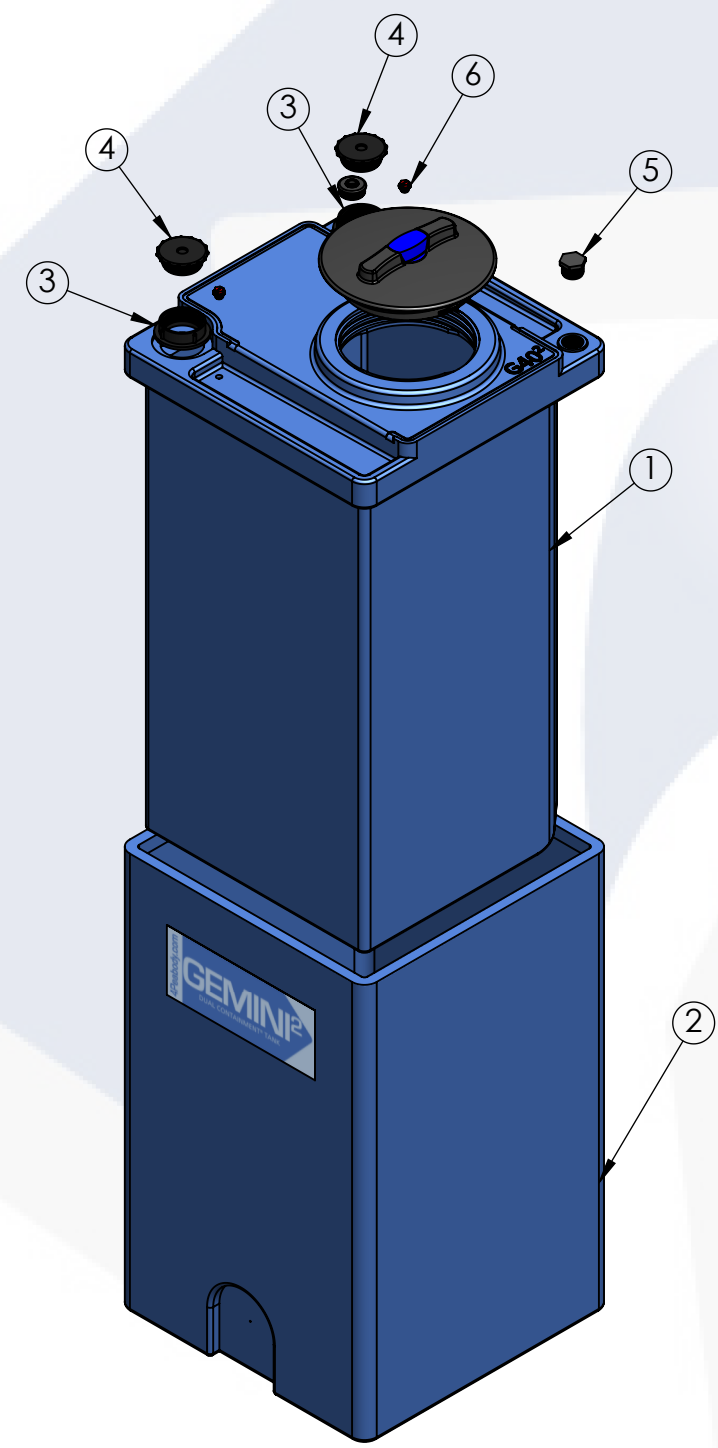


40 GALLON GEMINI ²	PART NUMBER	
	BLUE	NATURAL
LPE(1.5)	01-29655	01-29659
LPE (1.9)	01-30060	01-30064
XLPE (1.5)	N/A	01-30148
XLPE (1.9)	N/A	01-30153

MOLDED-IN THREADS



ISOMETRIC VIEW (ASSEMBLED)



ISOMETRIC VIEW (EXPLODED)

ALTERNATE CONFIGURATION TO MEET NSF/ANSI STANDARD 61 AVAILABLE

TOP LEVEL ASSEMBLY		
ITEM NO.	DESCRIPTION	QTY.
1	40G GEMINI ² , PRIMARY TANK	1
2	40G GEMINI ² , SECONDARY TANK	1
3	Ø2" FNPT SPIN WELD FITTING, PE	2
4	Ø2" MPT PLUG, PE, BLACK	2
5	Ø1" PLUG, MPT, PE, BLACK	1
6	RED CAPLUG / O-RING SUB-ASSY	2
7	Ø10" OD / 8" ID TWIST LID ASSY	1
8	Ø1-5/8" CAPLUG / GROMMET ASSY	1
9	GEMINI ² MOLD IN LOGO	1
10		1

- NOTES:**
- CAPACITY: 40 GAL. NOMINAL
 - APPROXIMATE WEIGHT: 47 LBS
 - TANK MATERIAL: LLDPE W/ UV INHIBITOR
 - GASKETS: EPDM
 - SERVICE PRESSURE: ATMOSPHERIC



PROPRIETARY AND CONFIDENTIAL
 THE INFORMATION CONTAINED IN THIS DRAWING IS THE SOLE PROPERTY OF PEABODY ENGINEERING. ANY REPRODUCTION IN PART OR AS A WHOLE WITHOUT THE WRITTEN PERMISSION OF PEABODY ENGINEERING IS PROHIBITED.

UNLESS OTHERWISE SPECIFIED:
 DIMENSIONS ARE IN INCHES
 TOLERANCES: ±1/4"
 ANGULAR: ± .5°
 ONE PLACE DECIMAL: ± .25
 TWO PLACE DECIMAL: ± .125
 THREE PLACE DECIMAL: ± .063

TANK MATERIAL: LPE
 INNER TANK S/N:
 OUTER TANK S/N:
 CUSTOMER PO#

DO NOT SCALE DRAWING

	NAME	DATE
DRAWN	JDM	7/13/20
CHECKED		
ENG APPR.		
MFG APPR.		
Q.A.		

ALTERNATIVE VERSIONS

MATERIALS: XLPE, PPL, PVDF
 COLORS: NATURAL, BLUE OR BLACK
 AVAILABLE WITH FRP WRAP

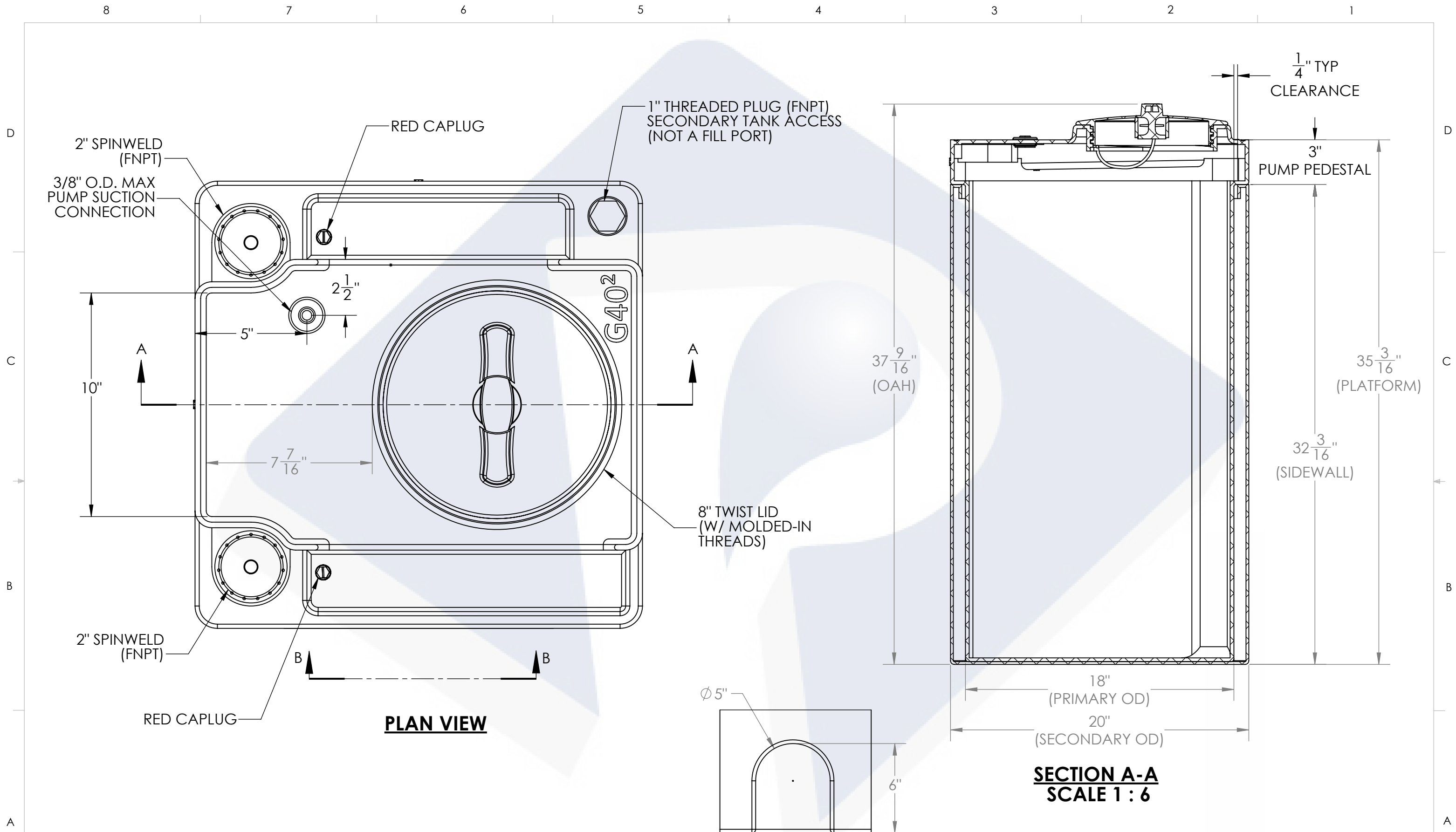
CALL FOR PART NUMBERS

PEABODY engineering

PROJECT: GEMINI² DUAL CONTAINMENT TANKS
 CUSTOMER: PEABODY STANDARD
 SITE/LOCATION: -
 SALES ORDER#: HPTC-29659DC-PB

SIZE: B DESC.: 40G GALLON GEMINI² TANK, 20" x 20" x 37-1/4" REV.: L1

SCALE: 1:11 LAST SAVED: Tuesday, May 17, 2022 11:30:31 AM SHEET 1 OF 2



PROJECT:		
40G Gemini ² . CUSTOMER Print		
SCALE: 1:4	REV. L1	SHEET 2 OF 2