

8

7

6

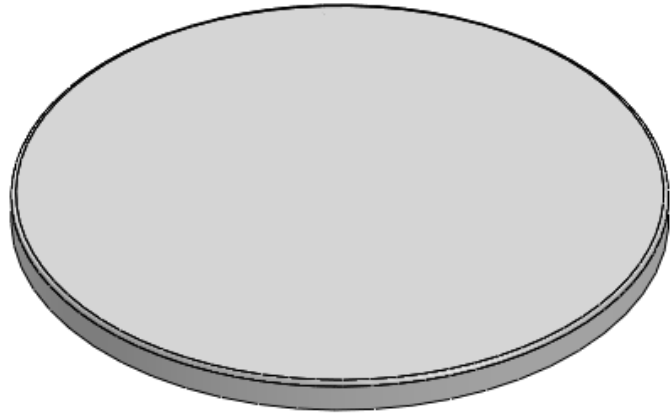
5

4

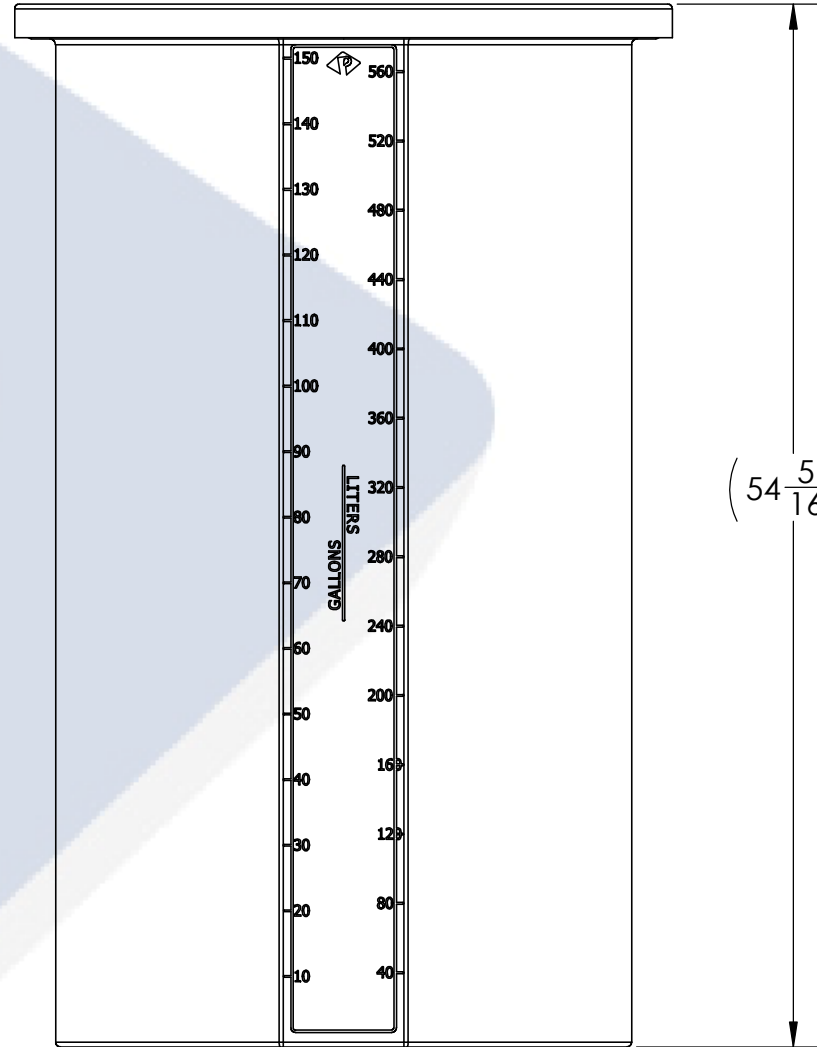
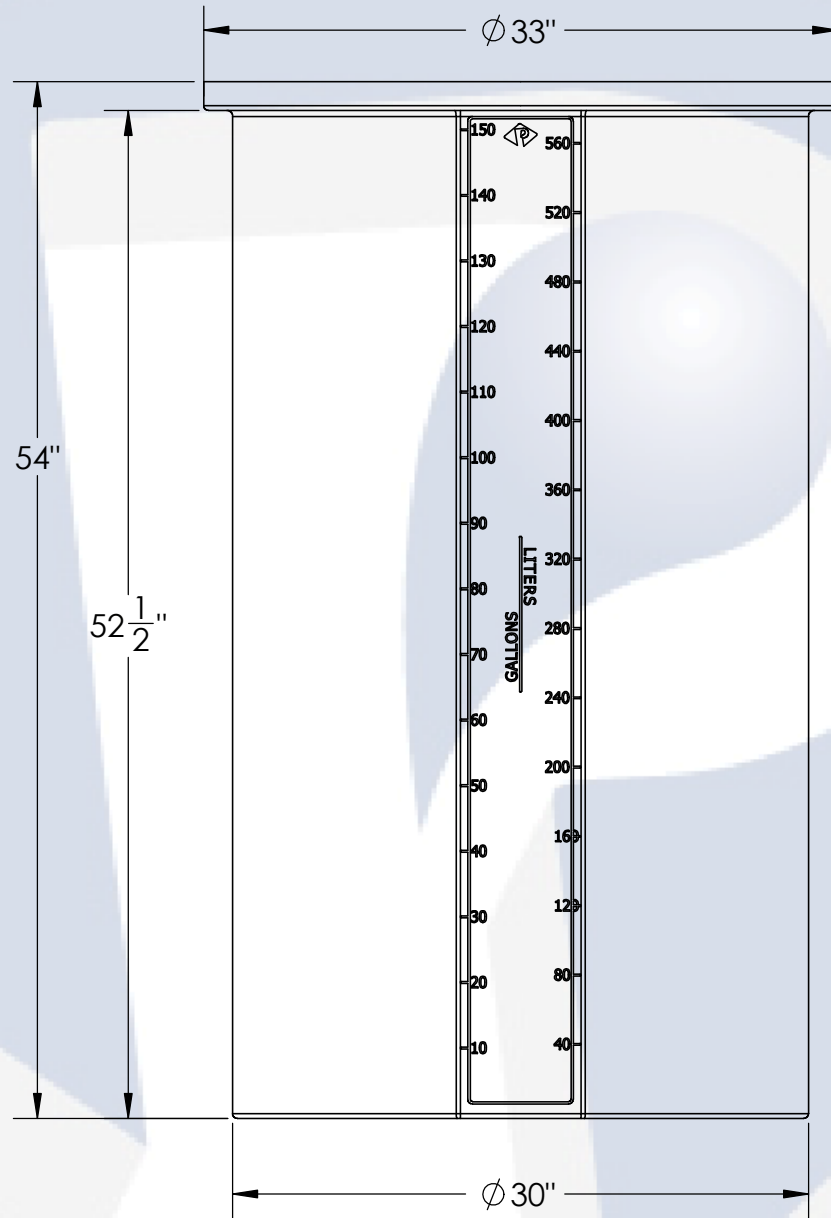
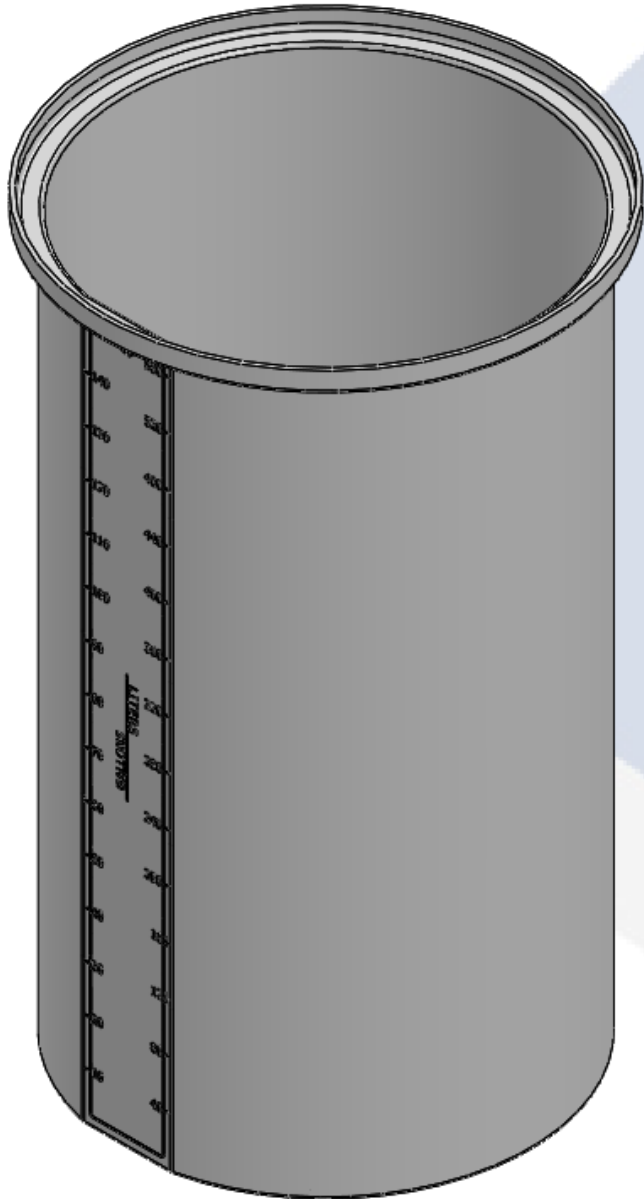
3

2

1



150 GALLON OPEN TOP	PART NUMBER	
	BLUE	NATURAL
STANDARD (1.5 SPG)	01-29601	01-28969



D

D

C

C

B

B

A

A

NOTES:

- CAPACITY: 150 GAL. NOMINAL
- APPROXIMATE WEIGHT: 60 LBS
- TANK MATERIAL: HDLPE W/ UV INHIBITOR
- SERVICE PRESSURE: ATMOSPHERIC



PROPRIETARY AND CONFIDENTIAL
 THE INFORMATION CONTAINED IN THIS DRAWING IS THE SOLE PROPERTY OF PEABODY ENGINEERING. ANY REPRODUCTION IN PART OR AS A WHOLE WITHOUT THE WRITTEN PERMISSION OF PEABODY ENGINEERING IS PROHIBITED.

UNLESS OTHERWISE SPECIFIED:		NAME	DATE	
DIMENSIONS ARE IN INCHES TOLERANCES: ±1/4" ANGULAR: ±.5° ONE PLACE DECIMAL: ±.25 TWO PLACE DECIMAL: ±.125 THREE PLACE DECIMAL: ±.063		DRAWN	MSM 11/25/13	
TANK MATERIAL:	HDPE	CHECKED		PROJECT: 150 GALLON OPEN TOP TANK ASSEMBLY
INNER TANK S/N:		ENG APPR.		CUSTOMER: PEABODY STANDARD
OUTER TANK S/N:		MFG APPR.		SITE/LOCATION: -
CUSTOMER PO#		Q.A.		DRAWING#: HPTC-28969AA-PB
DO NOT SCALE DRAWING		ALTERNATIVE VERSIONS		SIZE: B
		MATERIALS: XLPE, PPL, PVDF COLORS: NATURAL, BLUE OR BLACK AVAILABLE WITH FRP WRAP		DESC. PEABODY 150 GALLON OPEN TOP
		CALL FOR PART NUMBERS		REV. C
		SCALE: 1:10		SHEET 1 OF 1

8

7

6

5

4

3

2

1