

8

7

6

5

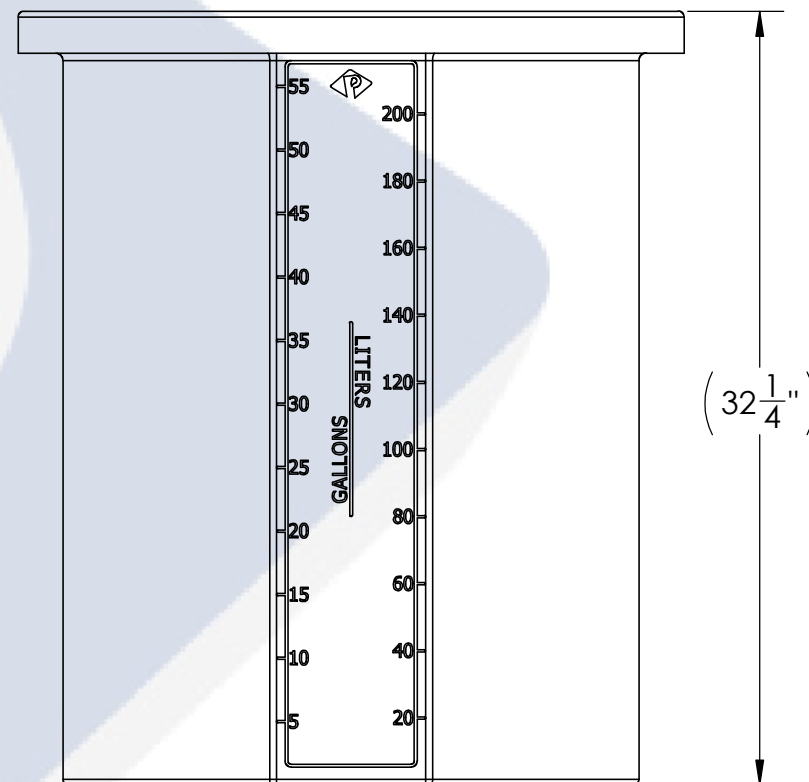
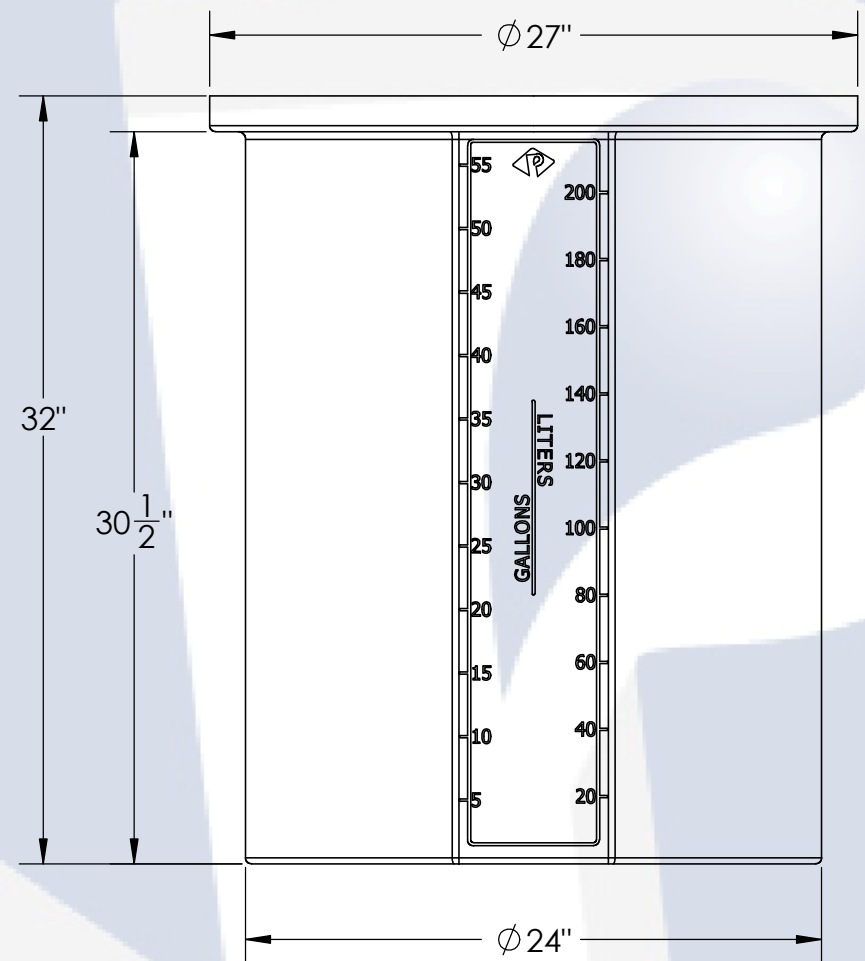
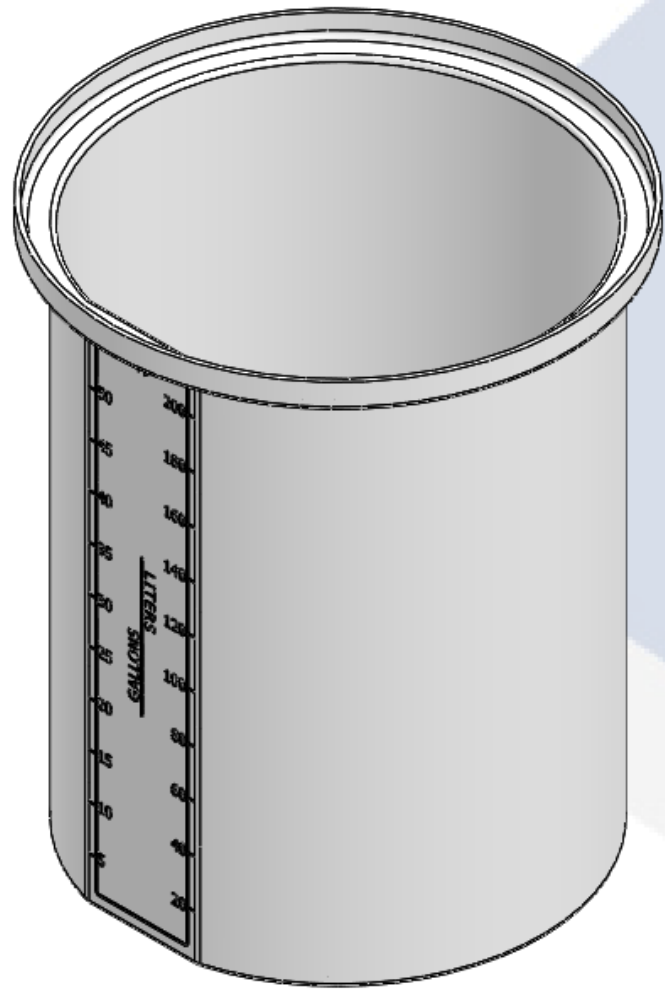
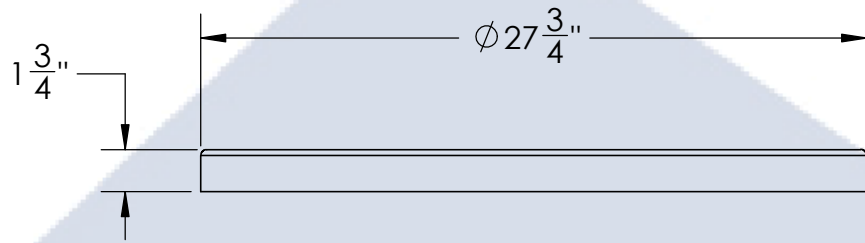
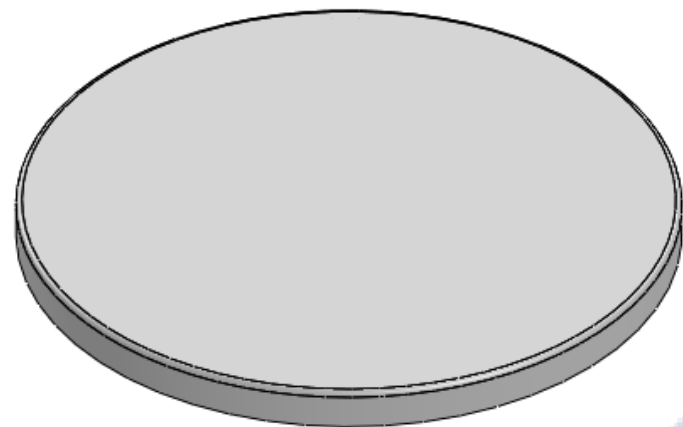
4

3

2

1

55 GALLON OPEN TOP	PART NUMBER	
	BLUE	NATURAL
STANDARD (1.5 SPG)	01-29366	01-28964



D

D

C

C

B

B

A

A

Heritage Products

Sales@heritagepro.com

UNLESS OTHERWISE SPECIFIED:		NAME	DATE	
DIMENSIONS ARE IN INCHES TOLERANCES: ±1/4" ANGULAR: ±.5° ONE PLACE DECIMAL: ±.25 TWO PLACE DECIMAL: ±.125 THREE PLACE DECIMAL: ±.063	DRAWN	MSM	11/25/13	
TANK MATERIAL: HDPE	CHECKED			PROJECT: 55 GALLON OPEN TOP TANK ASSEMBLY
INNER TANK S/N:	ENG APPR.			CUSTOMER: PEABODY STANDARD
OUTER TANK S/N:	MFG APPR.			SITE/LOCATION: -
CUSTOMER PO#	Q.A.			DRAWING#: HPTC-28964AA-PB
DO NOT SCALE DRAWING	<b>ALTERNATIVE VERSIONS</b> MATERIALS: XLPE, PPL, PVDF COLORS: NATURAL, BLUE OR BLACK AVAILABLE WITH FRP WRAP CALL FOR PART NUMBERS			SIZE: B DESC.: PEABODY 55 GALLON OPEN TOP REV.: C
				SCALE: 1:8
				SHEET 1 OF 1



**PROPRIETARY AND CONFIDENTIAL**  
 THE INFORMATION CONTAINED IN THIS DRAWING IS THE SOLE PROPERTY OF PEABODY ENGINEERING. ANY REPRODUCTION IN PART OR AS A WHOLE WITHOUT THE WRITTEN PERMISSION OF PEABODY ENGINEERING IS PROHIBITED.

**NOTES:**

- CAPACITY: 55 GAL. NOMINAL
- APPROXIMATE WEIGHT: 24 LBS
- TANK MATERIAL: HDLPE W/ UV INHIBITOR
- SERVICE PRESSURE: ATMOSPHERIC

8

7

6

5

4

3

2

1