

8

7

6

5

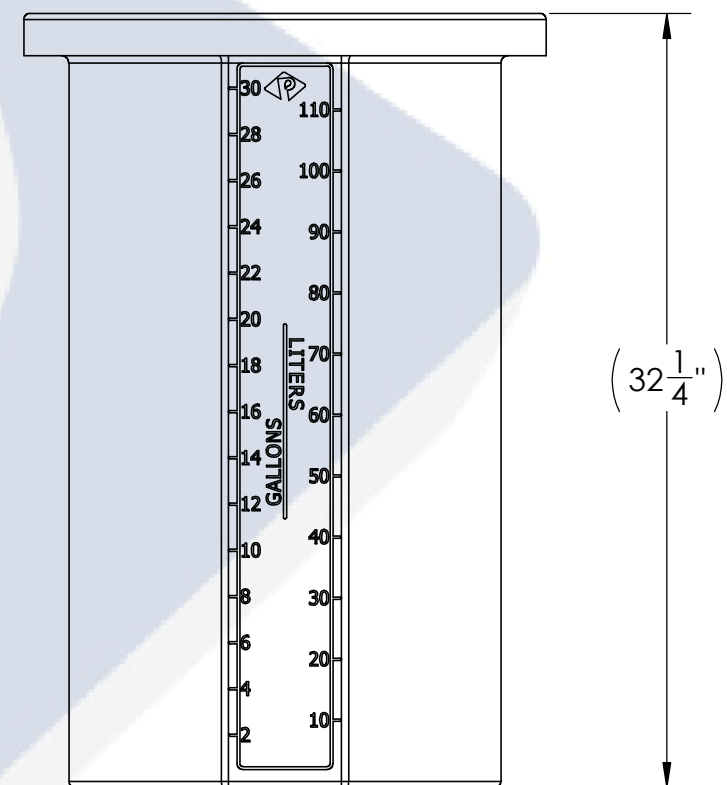
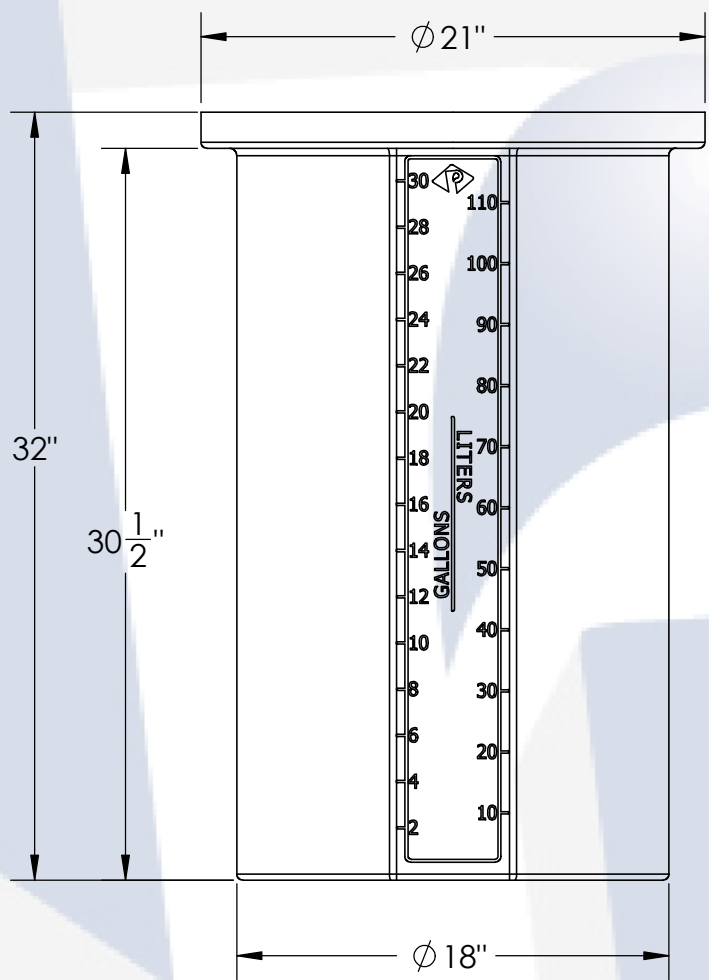
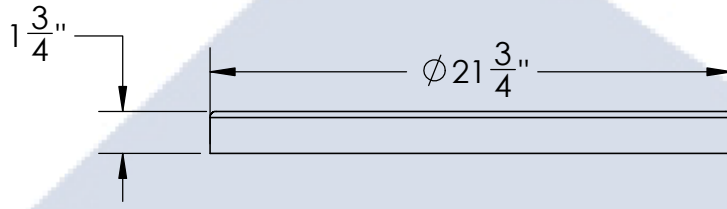
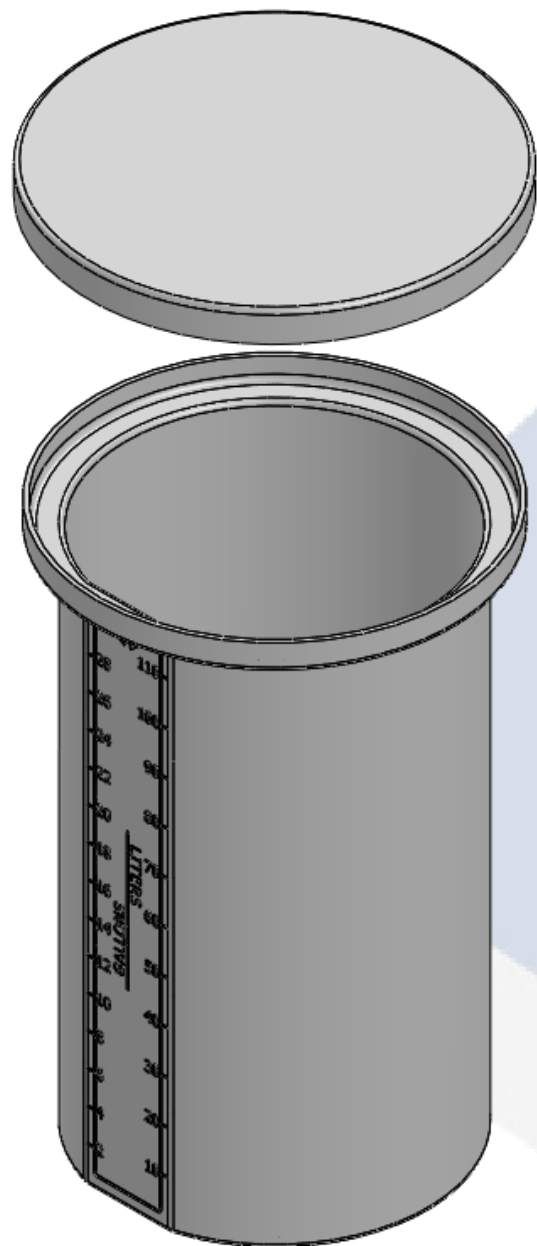
4

3

2

1

30 GALLON OPEN TOP	PART NUMBER	
	BLUE	NATURAL
STANDARD (1.5 SPG)	01-29596	01-28963



D

D

C

C

B

B

A

A

NOTES:

- CAPACITY: 30 GAL. NOMINAL
- APPROXIMATE WEIGHT: 15 LBS
- TANK MATERIAL: HDPE W/ UV INHIBITOR
- SERVICE PRESSURE: ATMOSPHERIC



PROPRIETARY AND CONFIDENTIAL
 THE INFORMATION CONTAINED IN THIS DRAWING IS THE SOLE PROPERTY OF PEABODY ENGINEERING. ANY REPRODUCTION IN PART OR AS A WHOLE WITHOUT THE WRITTEN PERMISSION OF PEABODY ENGINEERING IS PROHIBITED.

Heritage Products

Sales@heritagepro.com

UNLESS OTHERWISE SPECIFIED:	NAME	DATE	
DIMENSIONS ARE IN INCHES TOLERANCES: ±1/4" ANGULAR: ±.5° ONE PLACE DECIMAL: ±.25 TWO PLACE DECIMAL: ±.125 THREE PLACE DECIMAL: ±.063	DRAWN MSM	11/25/13	
TANK MATERIAL: HDPE	CHECKED		PROJECT: 30 GALLON OPEN TOP TANK ASSEMBLY
INNER TANK S/N:	ENG APPR.		CUSTOMER: PEABODY STANDARD
OUTER TANK S/N:	MFG APPR.		SITE/LOCATION: -
CUSTOMER PO#	Q.A.		DRAWING#:
DO NOT SCALE DRAWING	ALTERNATIVE VERSIONS		SIZE: B
	MATERIALS: XLPE, PPL, PVDF COLORS: NATURAL, BLUE OR BLACK AVAILABLE WITH FRP WRAP		DESC.: PEABODY 30 GALLON OPEN TOP
	CALL FOR PART NUMBERS		REV.: B
	SCALE: 1:8	SHEET 1 OF 1	

8

7

6

5

4

3

2

1