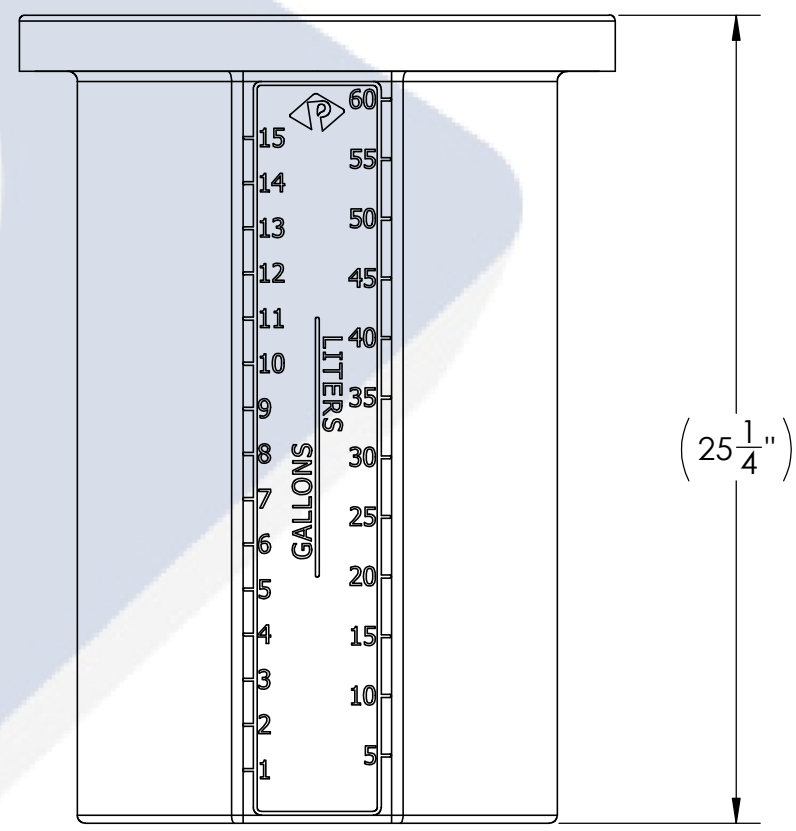
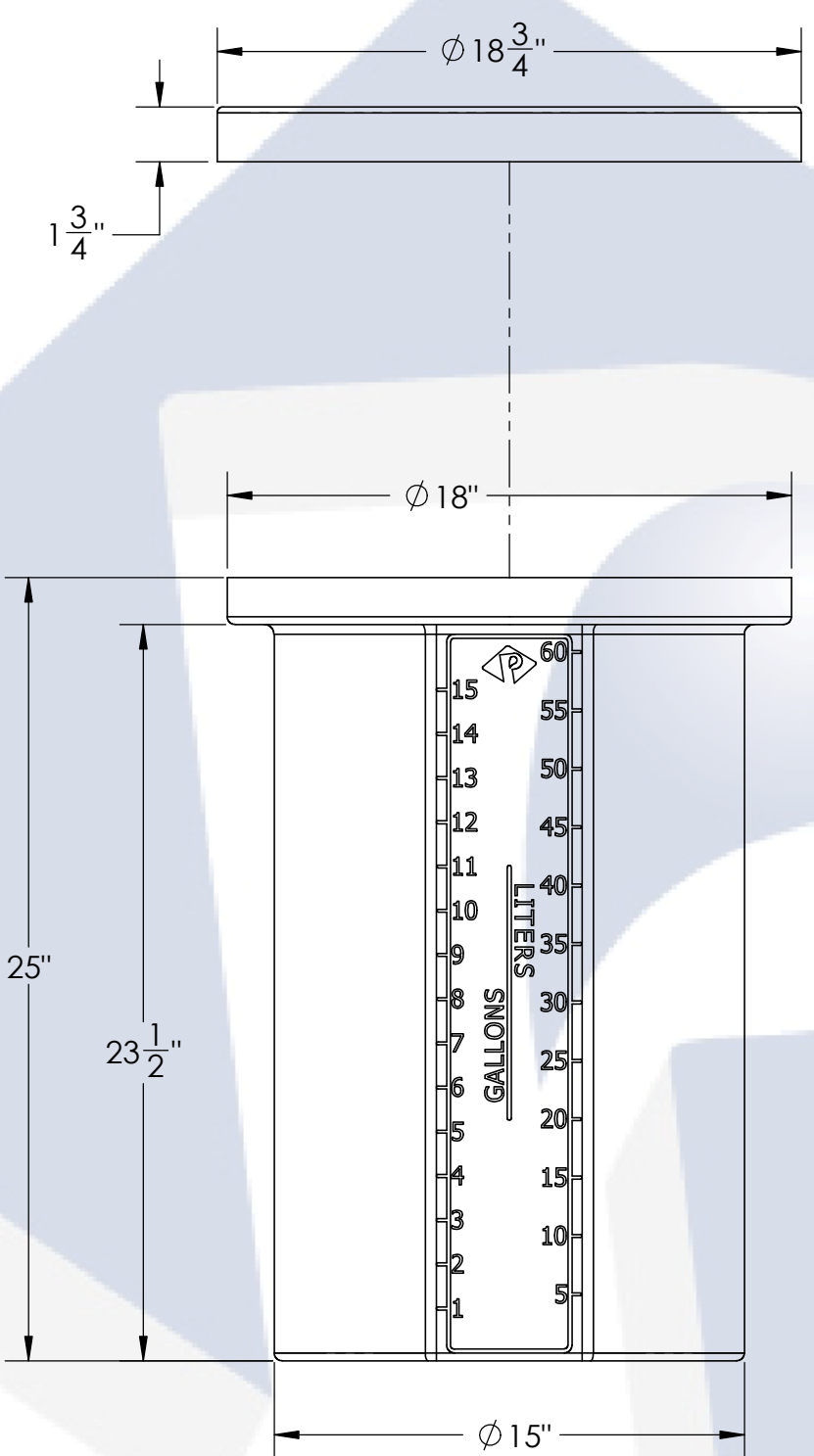
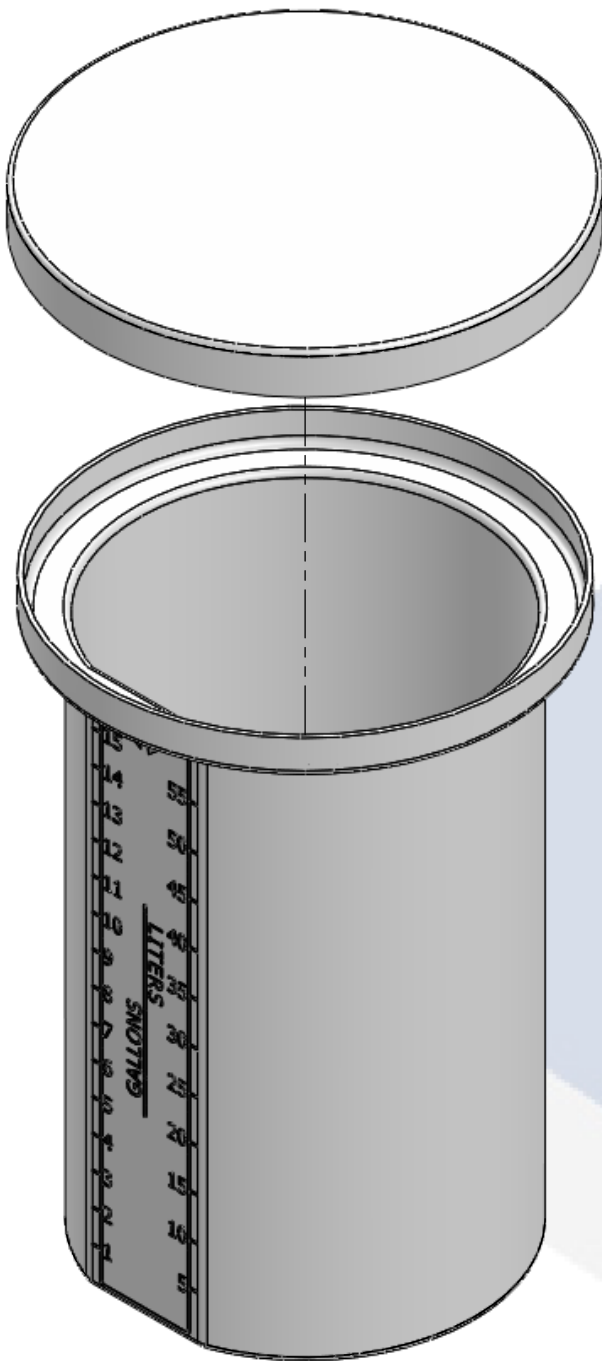


8 7 6 5 4 3 2 1

15 GALLON OPEN TOP	PART NUMBER	
	BLUE	NATURAL
STANDARD (1.5 SPG)	01-29476	01-28961



D
C
B
A

D
C
B
A

- NOTES:**
- CAPACITY: 15 GAL. NOMINAL
 - APPROXIMATE WEIGHT: 12 LBS
 - TANK MATERIAL: HDLPE W/ UV INHIBITOR
 - SERVICE PRESSURE: ATMOSPHERIC



PROPRIETARY AND CONFIDENTIAL
THE INFORMATION CONTAINED IN THIS DRAWING IS THE SOLE PROPERTY OF PEABODY ENGINEERING. ANY REPRODUCTION IN PART OR AS A WHOLE WITHOUT THE WRITTEN PERMISSION OF PEABODY ENGINEERING IS PROHIBITED.

Heritage Products Sales@heritagepro.com

UNLESS OTHERWISE SPECIFIED:	NAME	DATE	
DIMENSIONS ARE IN INCHES TOLERANCES: ±1/4" ANGULAR: ±.5° ONE PLACE DECIMAL: ±.25 TWO PLACE DECIMAL: ±.125 THREE PLACE DECIMAL: ±.063	DRAWN MSM	02/24/14	
TANK MATERIAL: HDPE	CHECKED		PROJECT: 15 GALLON OPEN TOP TANK ASSEMBLY
INNER TANK S/N:	ENG APPR.		CUSTOMER: PEABODY STANDARD
OUTER TANK S/N:	MFG APPR.		SITE/LOCATION: -
CUSTOMER PO#	Q.A.		DRAWING#: HPTC-2861AA-PB
DO NOT SCALE DRAWING	ALTERNATIVE VERSIONS		SIZE B DESC. PEABODY 15 GALLON OPEN TOP REV. F
	MATERIALS: XLPE, PPL, PVDF COLORS: NATURAL, BLUE OR BLACK AVAILABLE WITH FRP WRAP		SCALE: 1:6 SHEET 1 OF 1
	CALL FOR PART NUMBERS		

8 7 6 5 4 3 2 1