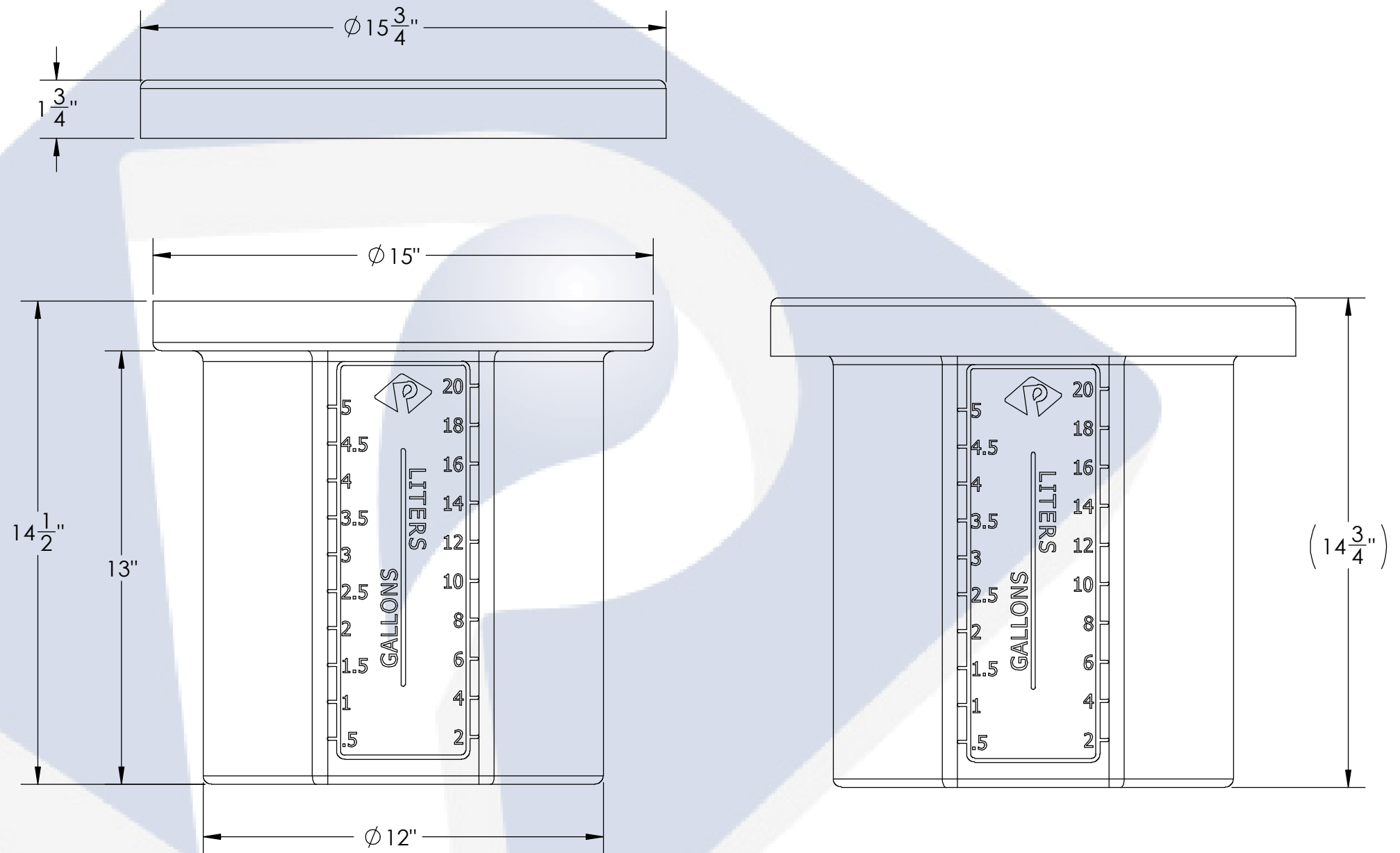
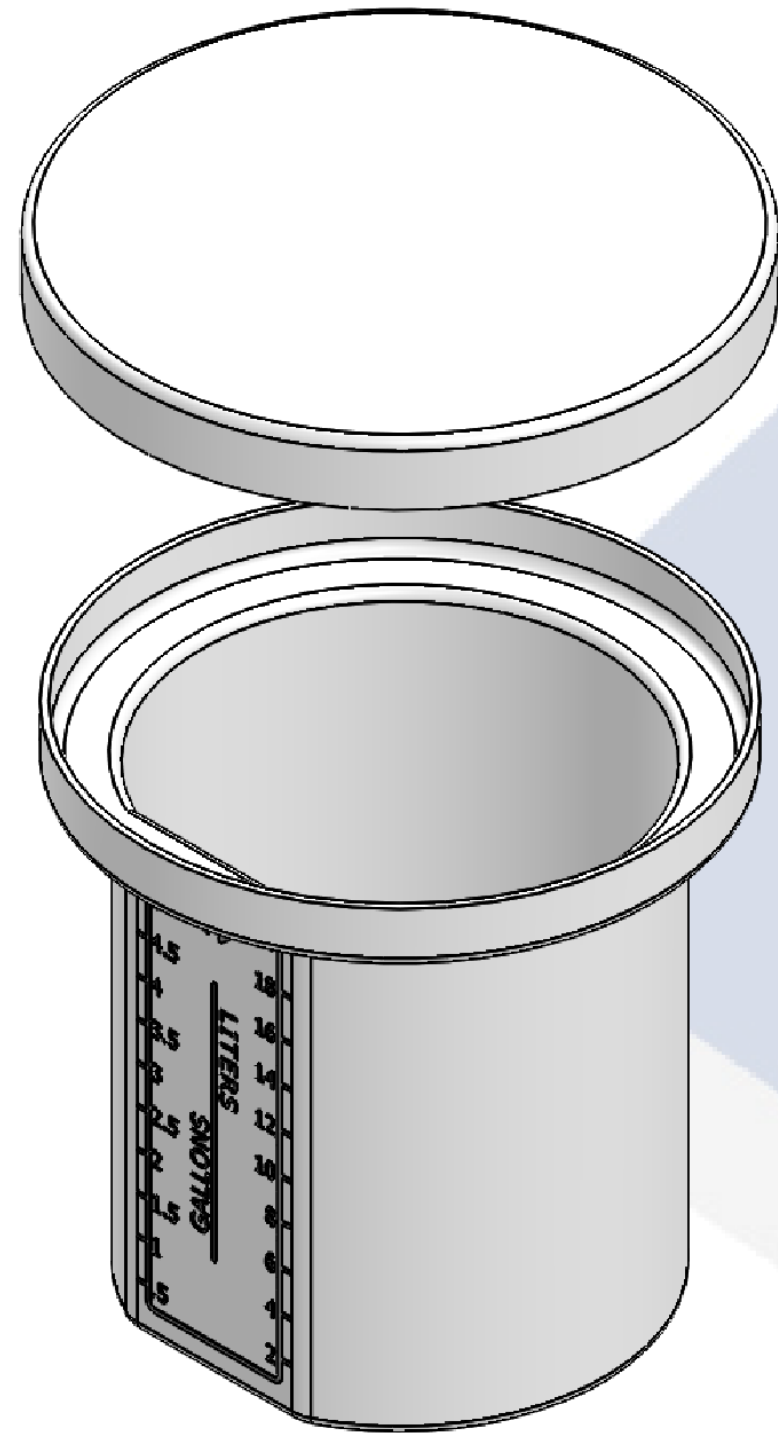


5 GALLON OPEN TOP	PART NUMBER	
	BLUE	NATURAL
STANDARD (1.5 SPG)	01-29593	01-28958




- NOTES:**
- CAPACITY: 5 GAL. NOMINAL
 - APPROXIMATE WEIGHT: 6 LBS
 - TANK MATERIAL: HDPE W/ UV INHIBITOR
 - SERVICE PRESSURE: ATMOSPHERIC



PROPRIETARY AND CONFIDENTIAL
 THE INFORMATION CONTAINED IN THIS DRAWING IS THE SOLE PROPERTY OF PEABODY ENGINEERING. ANY REPRODUCTION IN PART OR AS A WHOLE WITHOUT THE WRITTEN PERMISSION OF PEABODY ENGINEERING IS PROHIBITED.

Heritage Products

Sales@heritagepro.com

UNLESS OTHERWISE SPECIFIED:		NAME	DATE	 PROJECT: 5 GALLON OPEN TOP TANK ASSEMBLY
DIMENSIONS ARE IN INCHES TOLERANCES: ±1/4" ANGULAR: ±.5° ONE PLACE DECIMAL: ±.25 TWO PLACE DECIMAL: ±.125 THREE PLACE DECIMAL: ±.063		DRAWN	MSM 11/25/13	
TANK MATERIAL:	HDPE	CHECKED		SITE/LOCATION:
INNER TANK S/N:		ENG APPR.		DRAWING#:
OUTER TANK S/N:		MFG APPR.		HPTC-28958AA-PB
CUSTOMER PO#		Q.A.		SIZE
		ALTERNATIVE VERSIONS		DESC.
		MATERIALS: XLPE, PPL, PVDF COLORS: NATURAL, BLUE OR BLACK AVAILABLE WITH FRP WRAP		PEABODY 5 GALLON OPEN TOP
		CALL FOR PART NUMBERS		REV.
DO NOT SCALE DRAWING				B
				SCALE: 1:5
				SHEET 1 OF 1