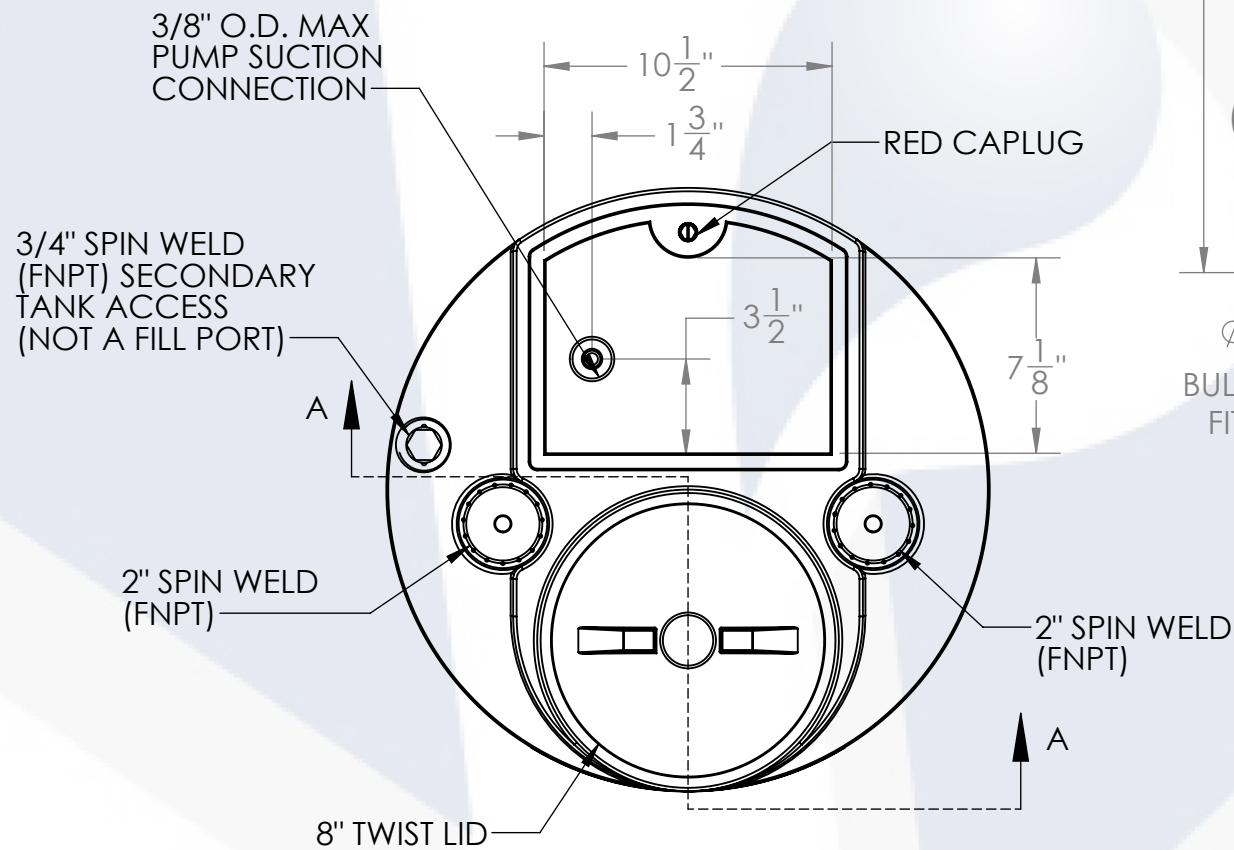
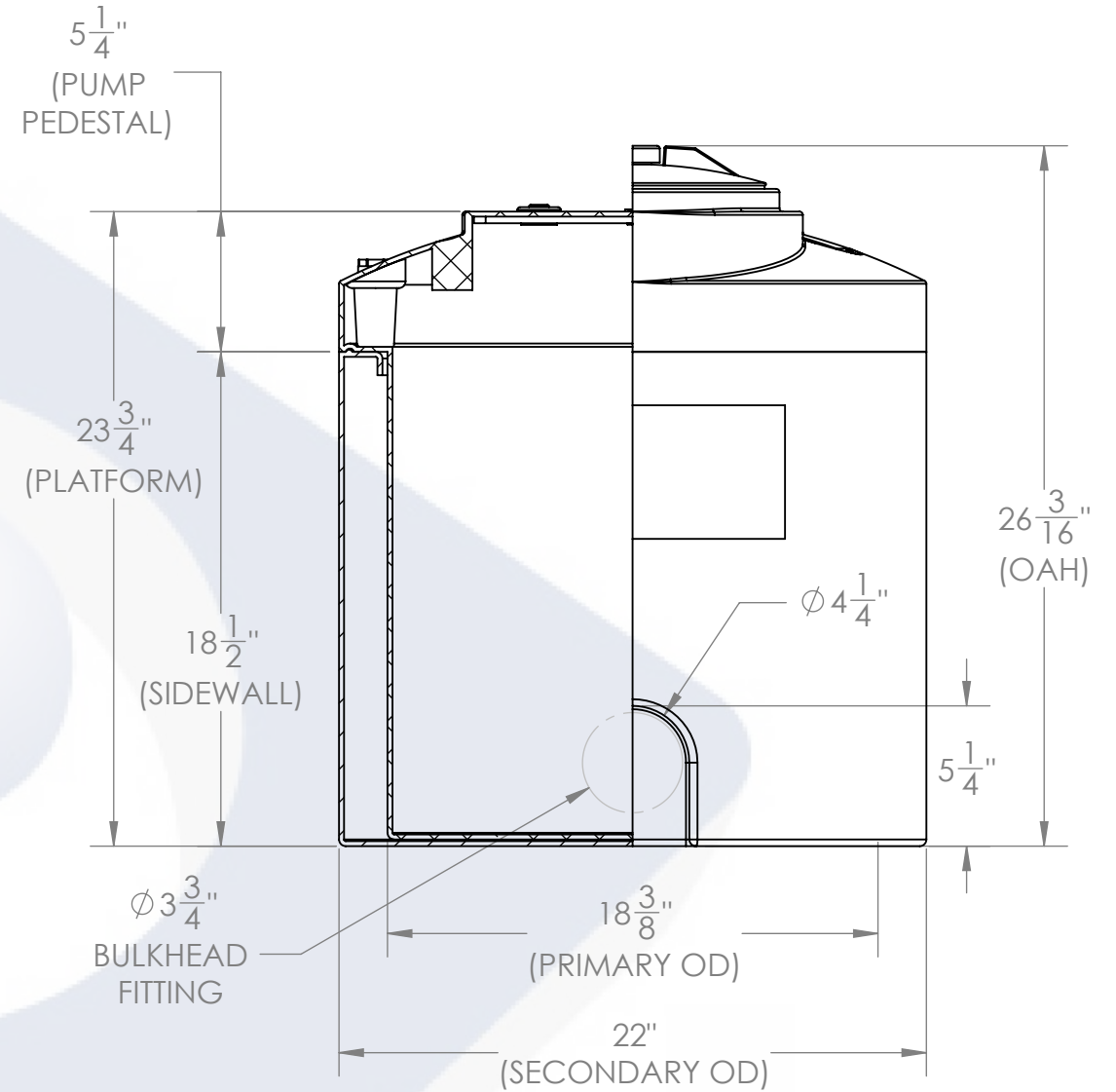




**ISOMETRIC VIEW
(ASSEMBLED)**



PLAN VIEW



SECTION A-A

ALTERNATE CONFIGURATION TO MEET
NSF/ANSI STANDARD 61 AVAILABLE

PROPRIETARY AND CONFIDENTIAL
THE INFORMATION CONTAINED IN THIS
DRAWING IS THE SOLE PROPERTY OF
PEABODY ENGINEERING. ANY
REPRODUCTION IN PART OR AS A WHOLE
WITHOUT THE WRITTEN PERMISSION OF
PEABODY ENGINEERING IS
PROHIBITED.

UNLESS OTHERWISE SPECIFIED:
DIMENSIONS ARE IN INCHES
TOLERANCES: ±1/4"
ANGULAR: ±.5°
ONE PLACE DECIMAL: ±.25
TWO PLACE DECIMAL: ±.125
THREE PLACE DECIMAL: ±.063
TANK MATERIAL:
INNER TANK S/N:
OUTER TANK S/N:
CUSTOMER PO#
DO NOT SCALE DRAWING

	NAME	DATE
DRAWN	AAF	08/19/19
CHECKED		
ENG APPR.		
MFG APPR.		
Q.A.		



PROJECT: **GEMINI DUAL CONTAINMENT TANKS**
CUSTOMER: **PEABODY STANDARD**
SITE/LOCATION: -
SALES ORDER:

SIZE	DESC.	REV.
B	20 GALLON GEMINI TANK, Ø22" x 27"	F
SCALE: 1:7		SHEET 1 OF 1

	PART NUMBER	
	BLUE	NATURAL
20 GALLON GEMINI TANK, Ø22" x 27"		
POLYETHYLENE LDPE (SD 1.5)	01-14871	01-1073
POLYETHYLENE LDPE (HD 1.9)	01-29773	01-29764
CROSSLINK XLPE (SD 1.5)	CALL FOR INFO	01-30125
CROSSLINK XLPE (HD 1.9)	CALL FOR INFO	01-30136
ALTERNATIVE MATERIALS, COLOR, AND ACCESSORIES ARE AVAILABLE. CALL FOR ADDITIONAL INFO.		