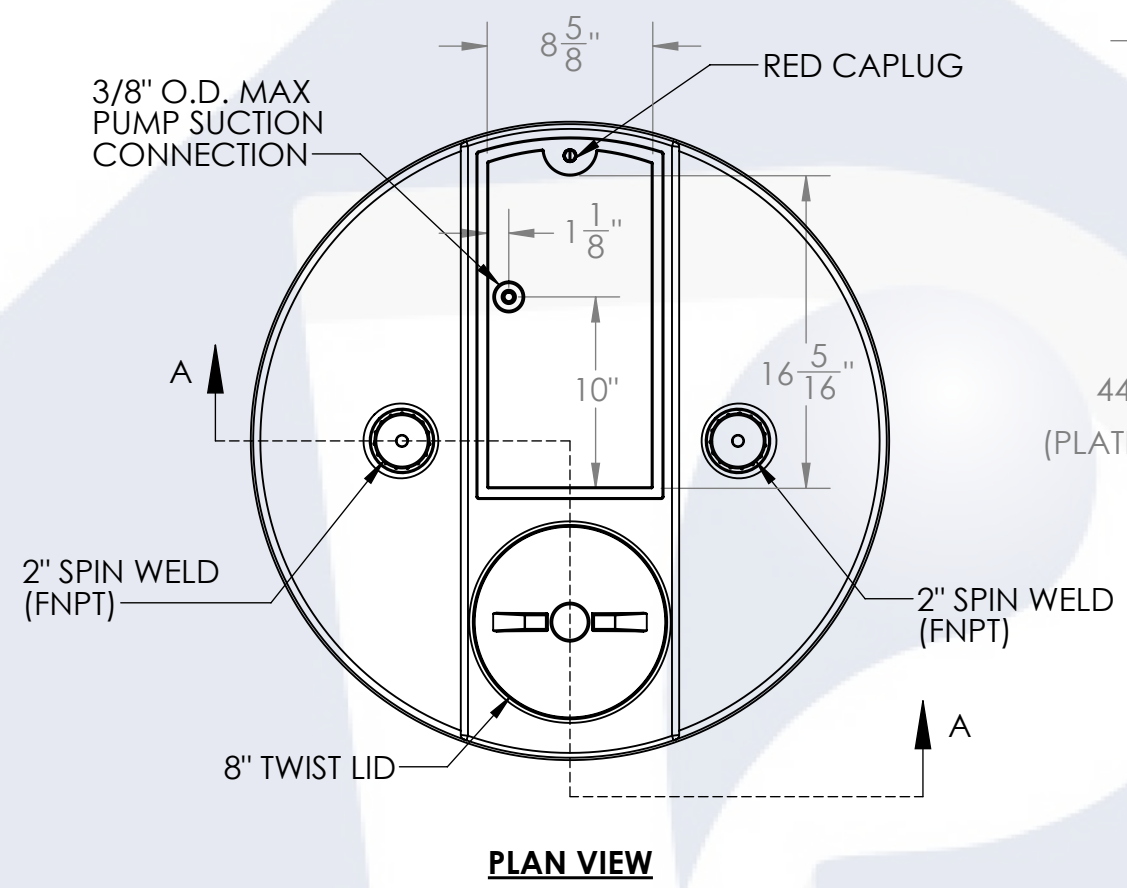


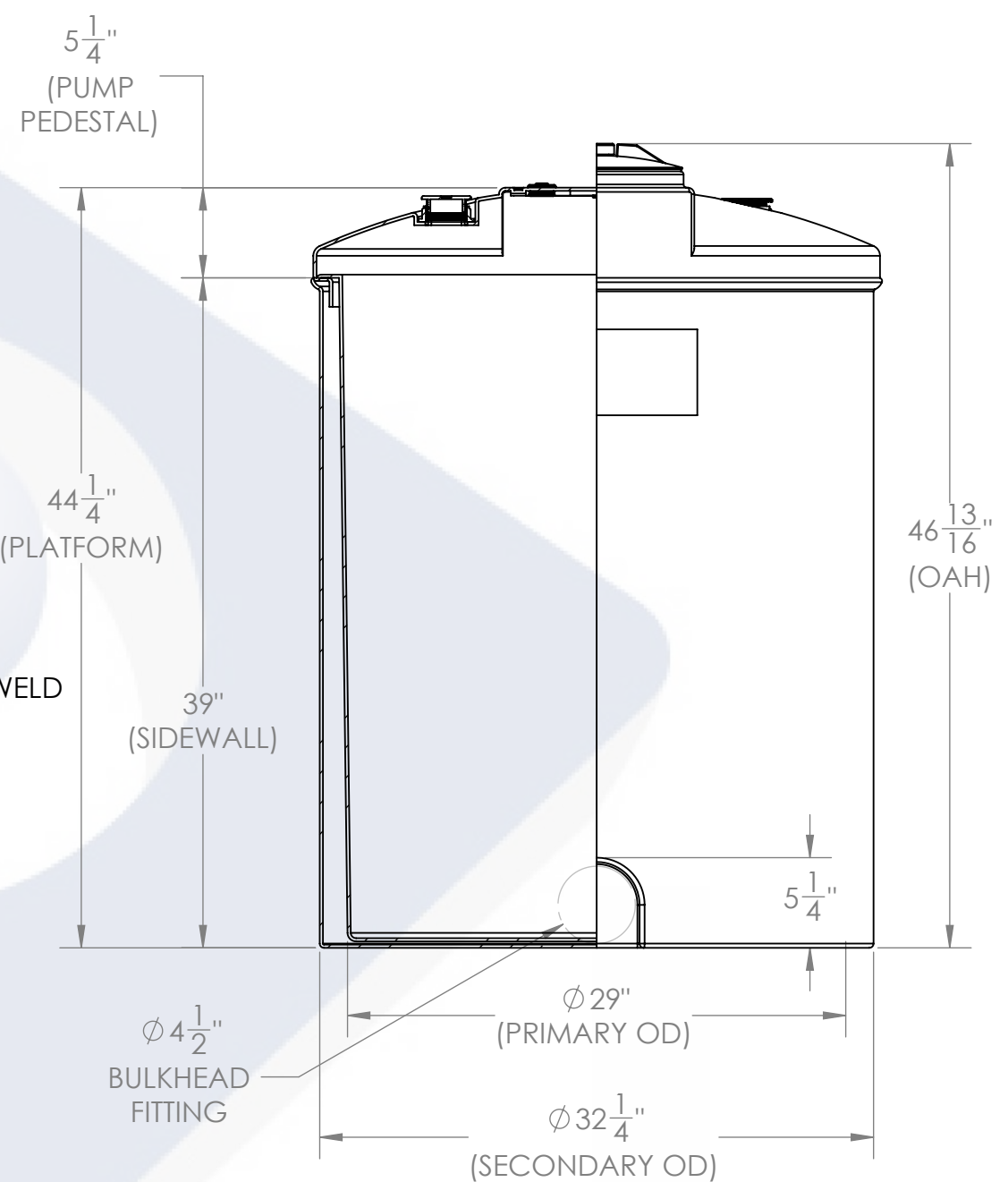
D  
C  
B



**ISOMETRIC VIEW  
(ASSEMBLED)**



**PLAN VIEW**



**SECTION A-A**

ALTERNATE CONFIGURATION TO MEET  
NSF/ANSI STANDARD 61 AVAILABLE

120 GALLON GEMINI TANK, Ø33" x 47"	PART NUMBER	
	BLUE	NATURAL
POLYETHYLENE LDPE (SD 1.5)	01-14870	01-1072
POLYETHYLENE LDPE (HD 1.9)	01-29777	01-29768
CROSSLINK XLPE (SD 1.5)	CALL FOR INFO	01-30130
CROSSLINK XLPE (HD 1.9)	CALL FOR INFO	01-30141
ALTERNATIVE MATERIALS, COLOR, AND ACCESSORIES ARE AVAILABLE. CALL FOR ADDITIONAL INFO.		

**PROPRIETARY AND CONFIDENTIAL**  
THE INFORMATION CONTAINED IN THIS DRAWING IS THE SOLE PROPERTY OF PEABODY ENGINEERING. ANY REPRODUCTION IN PART OR AS A WHOLE WITHOUT THE WRITTEN PERMISSION OF PEABODY ENGINEERING IS PROHIBITED.

UNLESS OTHERWISE SPECIFIED:		NAME	DATE	
DIMENSIONS ARE IN INCHES TOLERANCES: ±1/4" ANGULAR: ±.5° ONE PLACE DECIMAL: ±.25 TWO PLACE DECIMAL: ±.125 THREE PLACE DECIMAL: ±.063		AA	8/19/19	
TANK MATERIAL:				PROJECT: <b>GEMINI DUAL CONTAINMENT TANKS</b>
INNER TANK S/N:				CUSTOMER: <b>PEABODY STANDARD</b>
OUTER TANK S/N:				SITE/LOCATION: -
CUSTOMER PO#				SALES ORDER:
DO NOT SCALE DRAWING				SIZE: <b>B</b> DESC.: <b>120 GALLON GEMINI TANK, Ø33" x 47"</b> REV.: <b>E</b>
				SCALE: 1:10 SHEET 1 OF 1