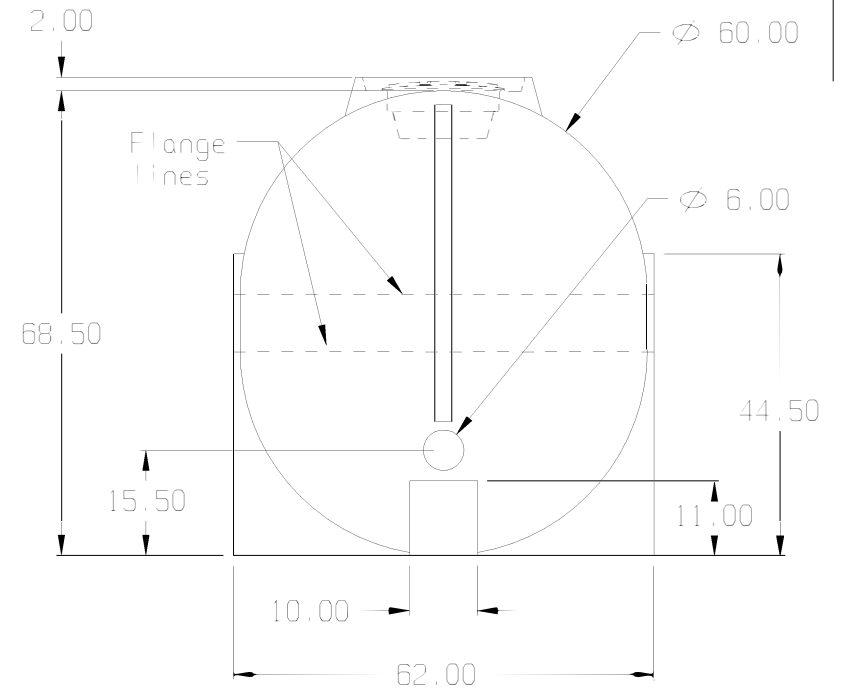
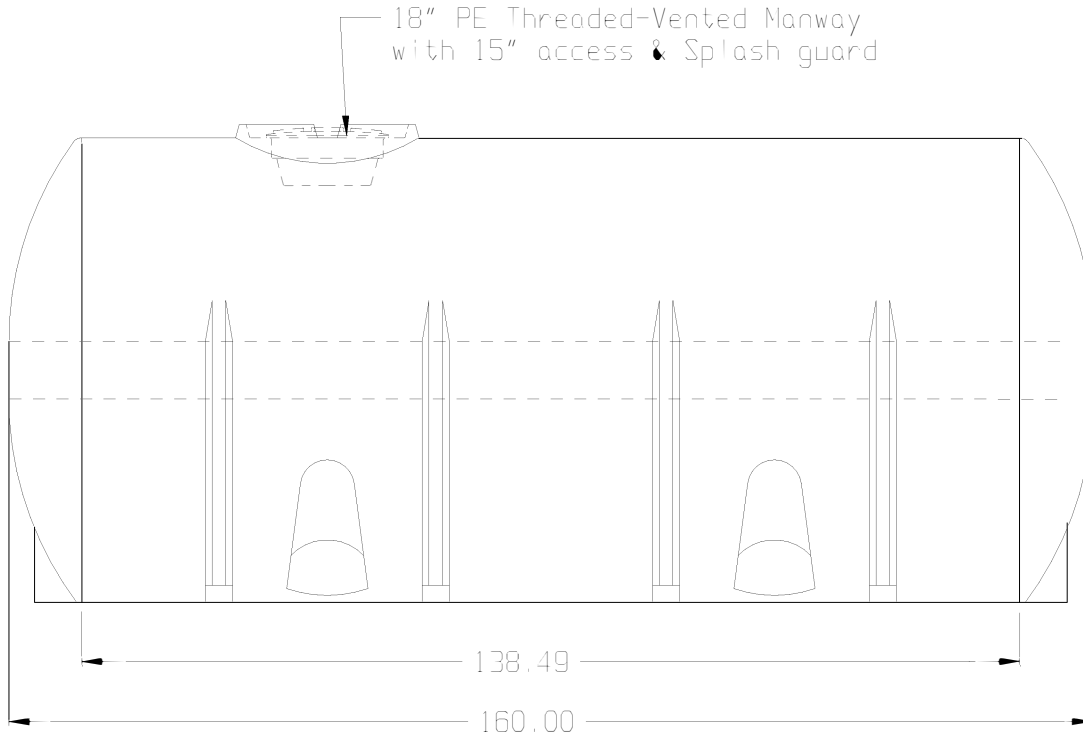


18" PE Threaded-Vented Manway  
with 15" access & Splash guard



(nominal dimensions shown)  
(all dimensions in inches)

BASE FITTINGS TO BE LEFT INSTALLED AT TIME OF SHIPMENT PER SII PROCEDURE

2,000 GALLON HORIZONTAL LEG TANK

HPTC-75100LC-SI

