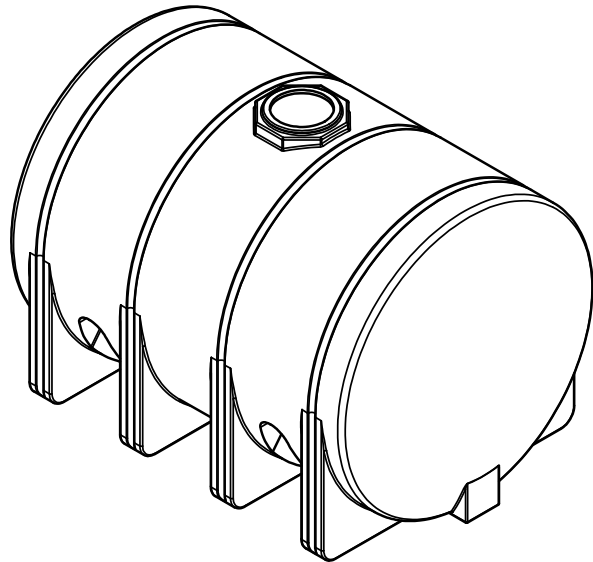



| REVISION HISTORY | | | |
|------------------|--------------------------------|-----------|---------------|
| REV | DESCRIPTION | DATE | ENGINEER |
| A | Redrawn with revised end sumps | 8/15/2013 | Jerry Paulson |



| | | | | | |
|------------------------|-----------|--|-----------------|---|--|
| DRAWN Jerry Paulson | 8/15/2013 | TITLE 3725 GALLON HORIZONTAL LEG TANK | |  | |
| CHECKED | | | | | |
| QA | | | | | |
| MFG | | | | | |
| APPROVED | | SIZE B | HPTC-44047LC-NW | REV A | |
| | | SCALE: 1/16 | SHEET 1 OF 1 | | |