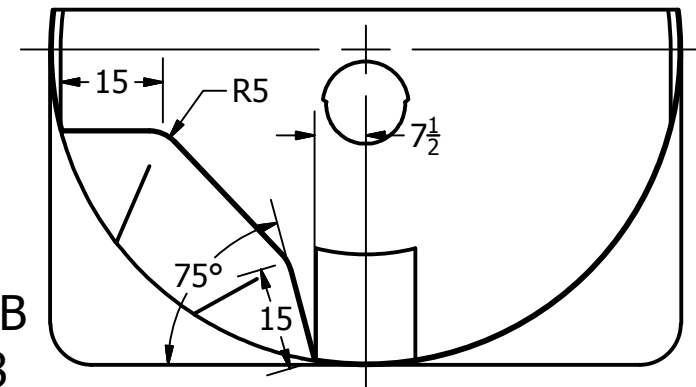
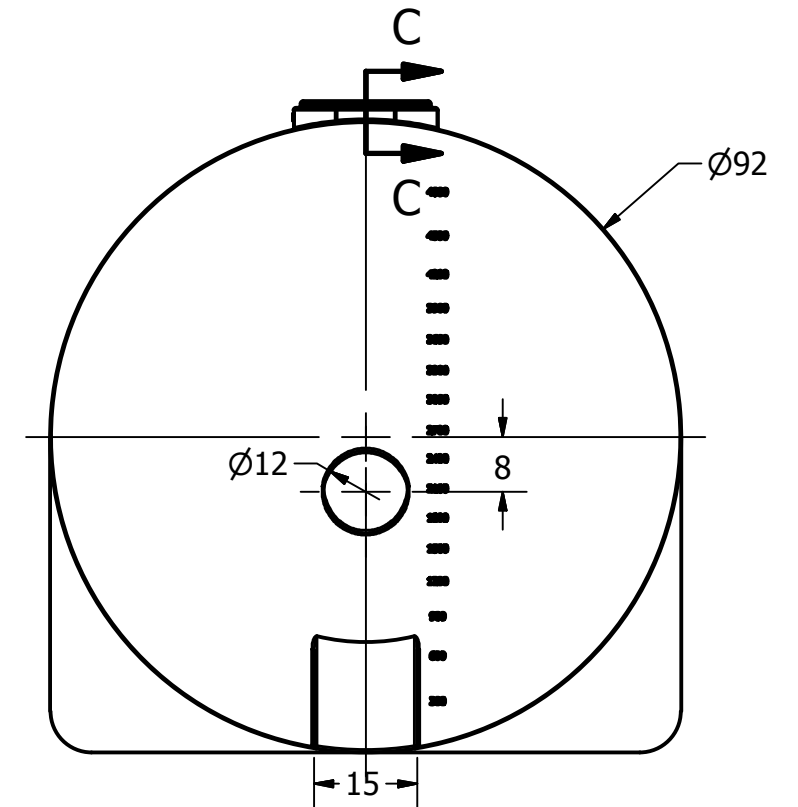
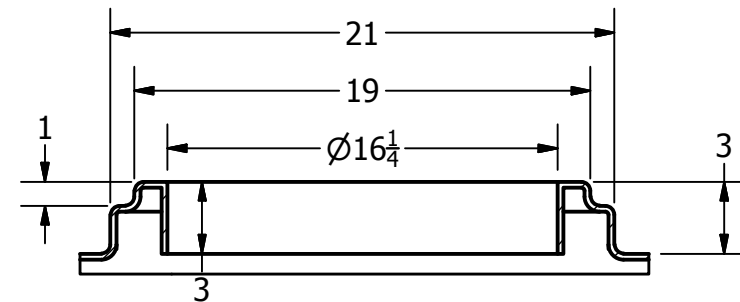


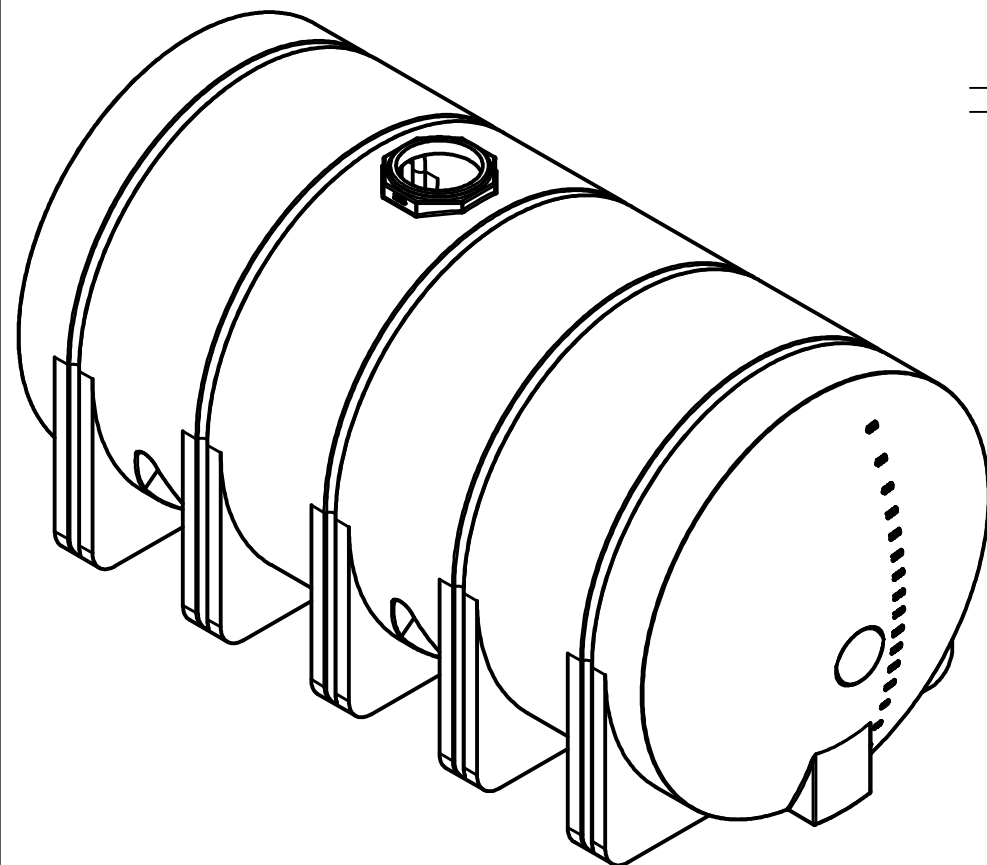
VIEW A-A
SCALE 1:60



SECTION B-B
SCALE 1:28

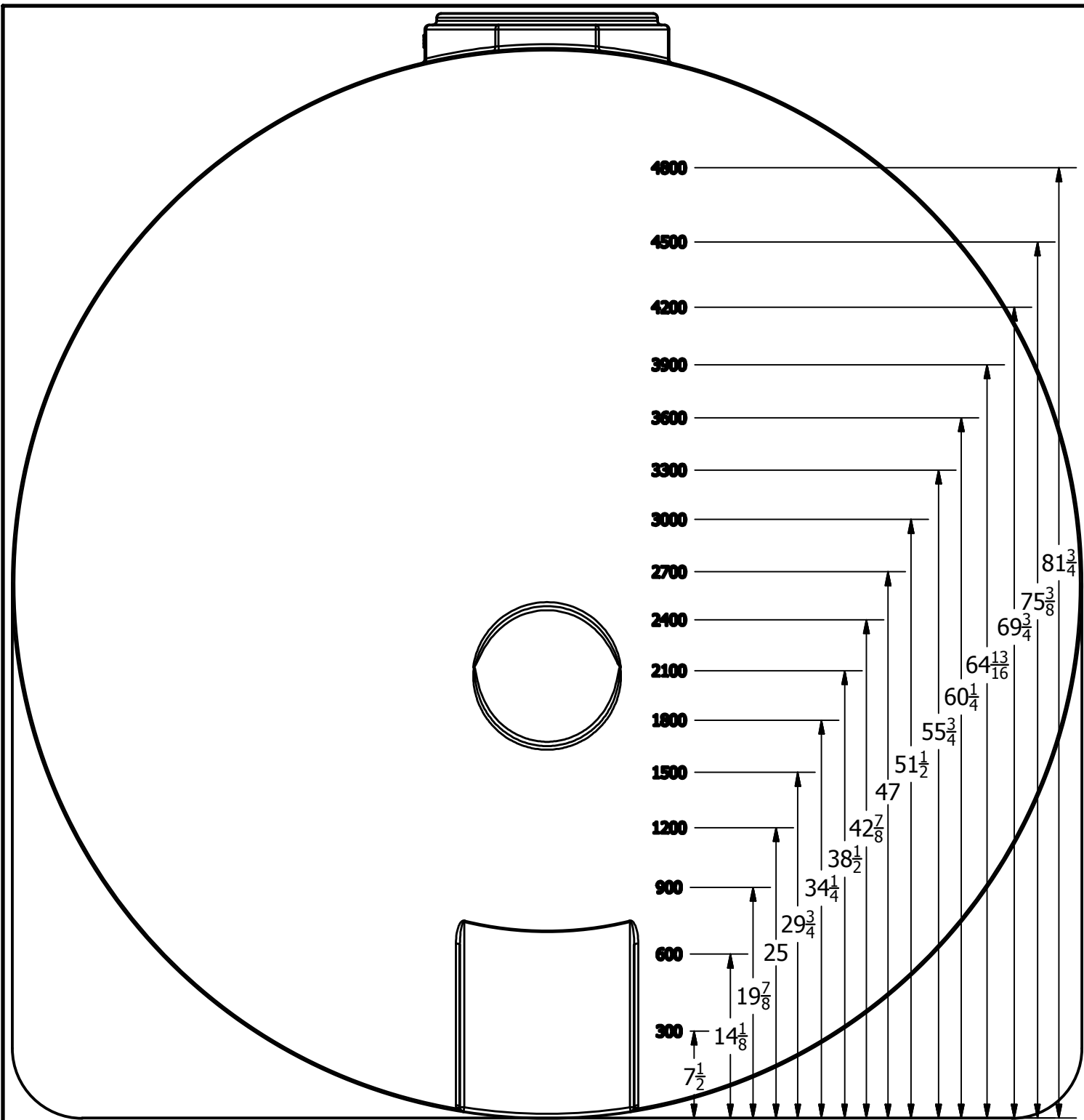


SECTION C-C
SCALE 1:8



| REVISION HISTORY | | | |
|------------------------|-------------|-----------|--|
| REV | DESCRIPTION | DATE | AUTHOR |
| A | REDRAWN | 7/17/2013 | Michael Holden |
| DRAWN Jerry Paulson | | 8/4/2003 | Heritage Products Sales@heritagepro.com (866)839-1866 |
| CHECKED | | | |
| QA | | | TITLE |
| MFG | | | 5025 GALLON HORIZONTAL LEG TANK |
| APPROVED | | | |
| SIZE B | | | HPTC-41879LC-NW |
| SCALE: 1/16 | | | REV A |
| SHEET 1 OF 2 | | | |





| | | | |
|------------------------|----------|---------------------------------|--------------|
| DRAWN Jerry Paulson | 8/4/2003 | TITLE | |
| CHECKED | | | |
| QA | | 5025 GALLON HORIZONTAL LEG TANK | |
| MFG | | | |
| APPROVED | | | |
| | | SIZE B | REV A |
| | | SCALE: 1/16 | SHEET 2 OF 2 |

