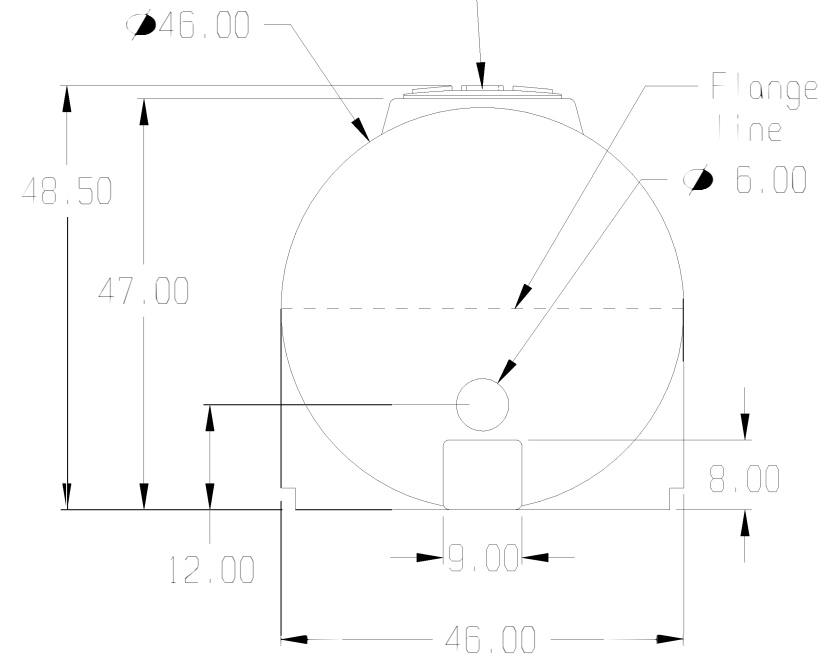


18" PE threaded manway cover w/15" access



(all dimensions in inches)

BASE FITTINGS TO BE LEFT INSTALLED AT TIME OF SHIPMENT PER SII PROCEDURE

# 750 GALLON SUPER-NURSE TANK

**HPTC-13000LC-SI**

