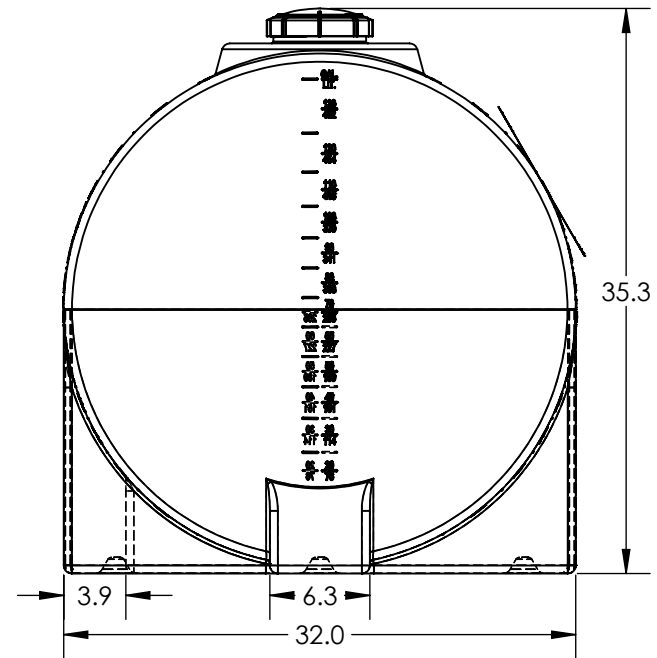
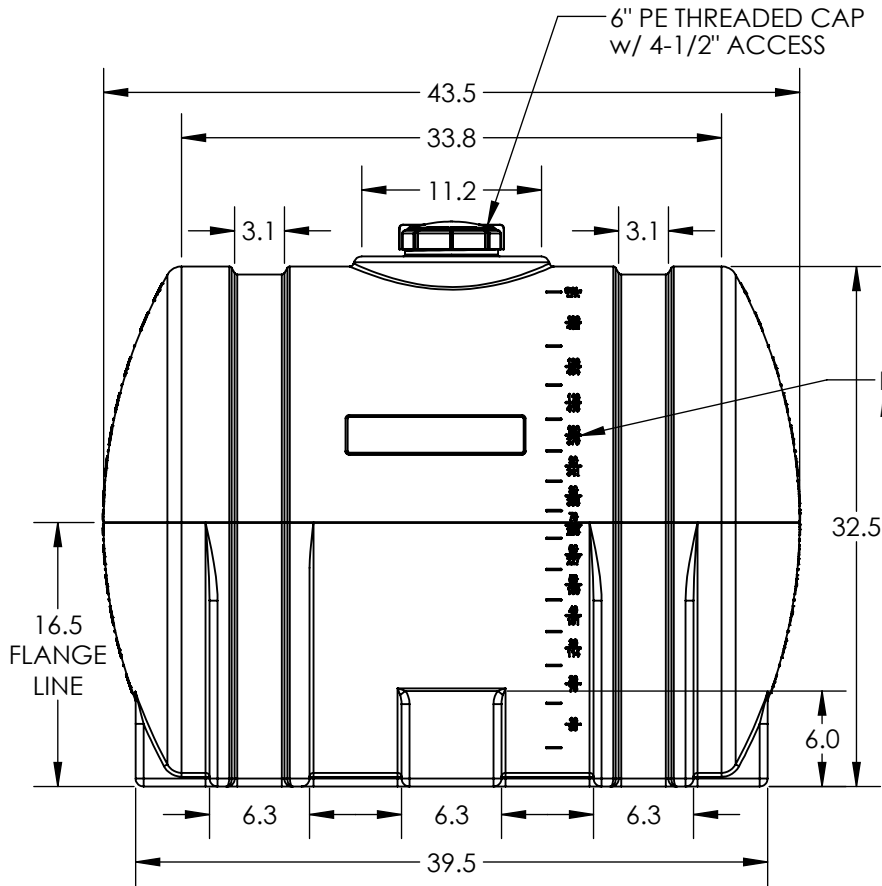


APPROX. BRIMFUL CAPACITY:  
TANK: 135.6 GAL.



**\*ALL EXTERNAL PIPING MUST BE INDEPENDENTLY SUPPORTED.**  
**\*ONLY BASE FITTINGS TO BE LEFT INSTALLED AT TIME OF SHIPMENT PER SII PROCEDURE.**  
**\*TANKS ORDERED WITH FOAM INSULATION WILL HAVE AN INCREASED DIAMETER OF 4-6 INCHES.**  
**\*Consult Snyder's Guidelines for Use and Installation prior to delivery.**  
 Available on-line a

ALL DIMENSIONS ARE IN INCHES, NOMINAL, & SUBJECT TO CHANGE WITHOUT NOTICE.  
 ALL DIMENSIONS ON ROTATIONAL MOLDED PARTS ARE SUBJECT TO A ± 3% TOLERANCE.

DO NOT SCALE		DRAWN BY	TITLE:	REVISION
Released		IGG	ASM TK 125HL X 32	A
HPTC-10036LC-SI			ENG. ID.	SHEET
				1 OF 1
			D010024	

