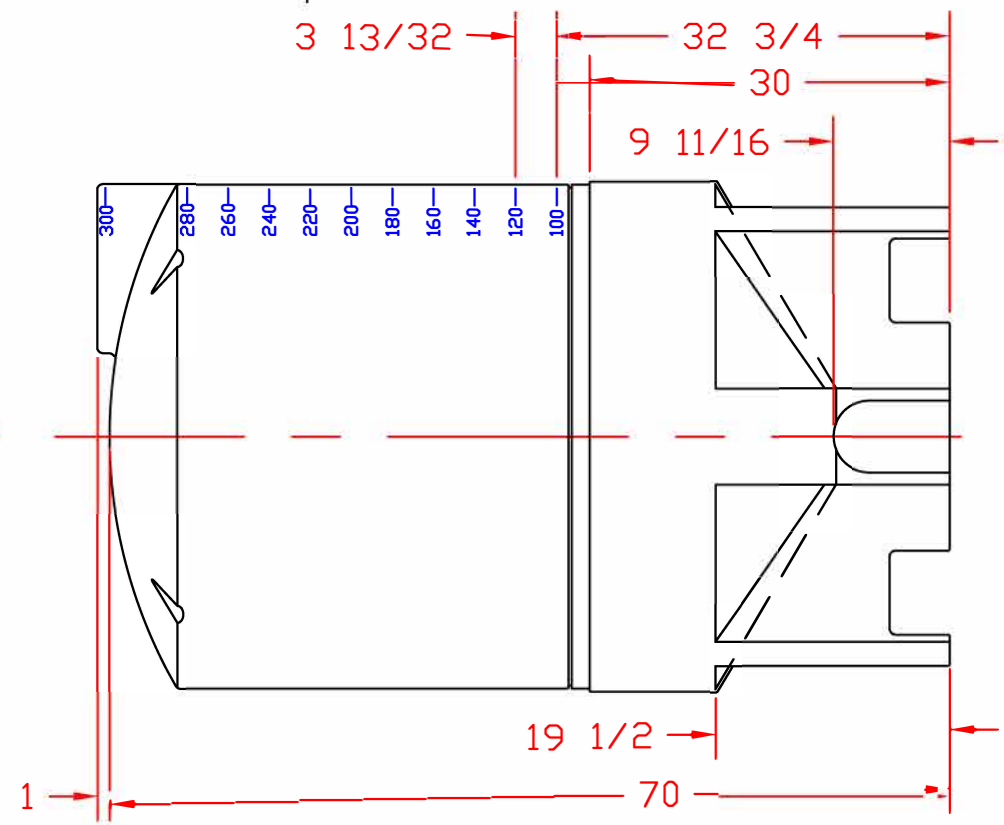
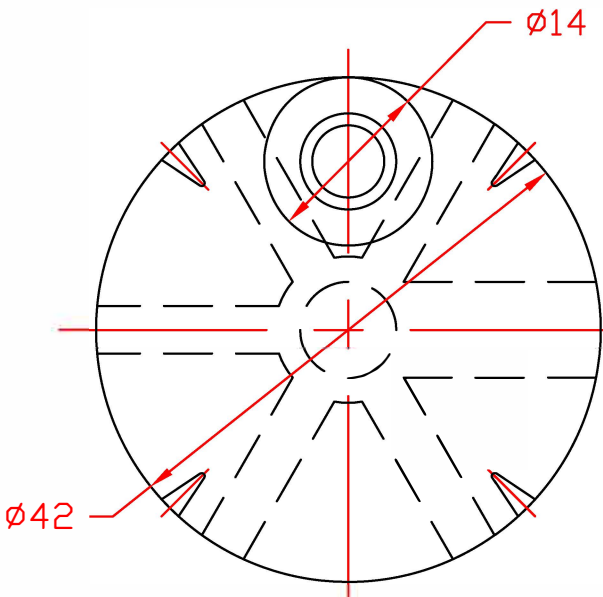



REVISIONS				
ZONE	REV	DESCRIPTION	DATE	APPROVED
	A	WAS 300	30JUN99	



	(A) 310 GALLON CONE BOTTOM TANK WITH STAND			
	JTP 08APR97	SIZE A	FSCM NO.	DWG NO. HPTC-62441JP-NW
SCALE 1/16			SHEET	