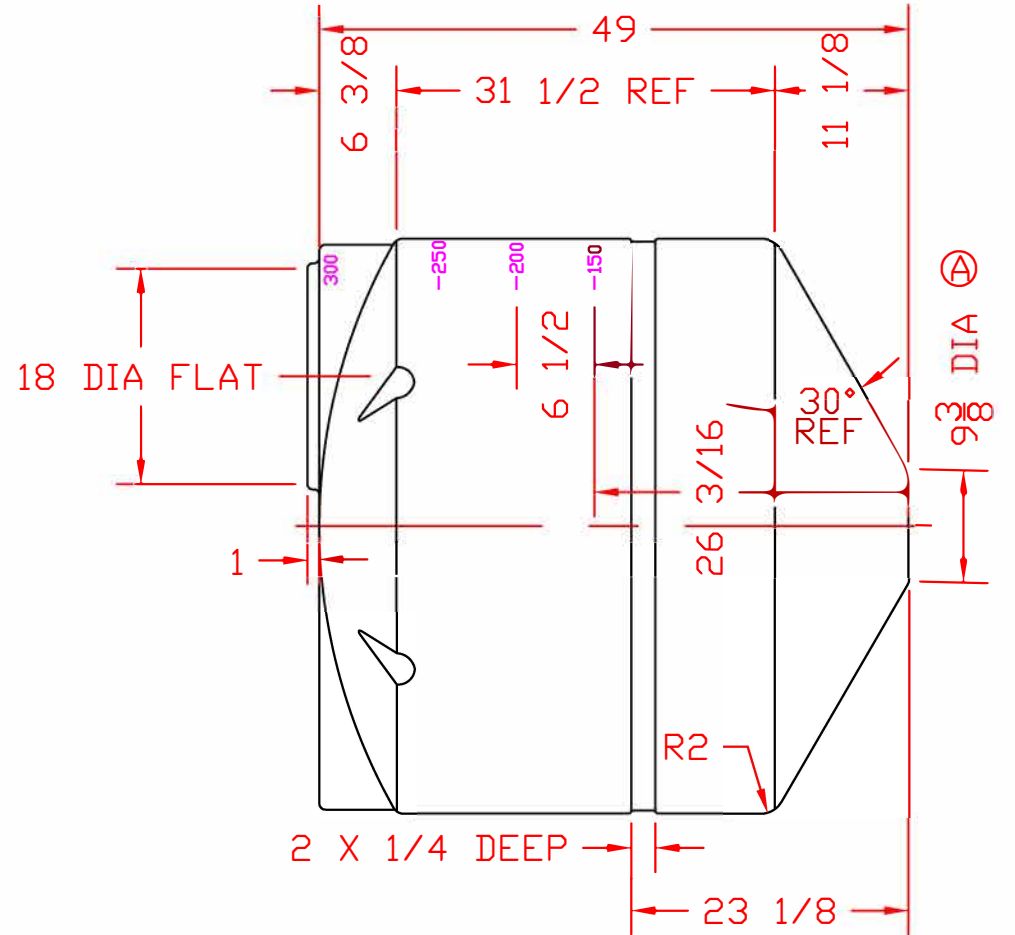
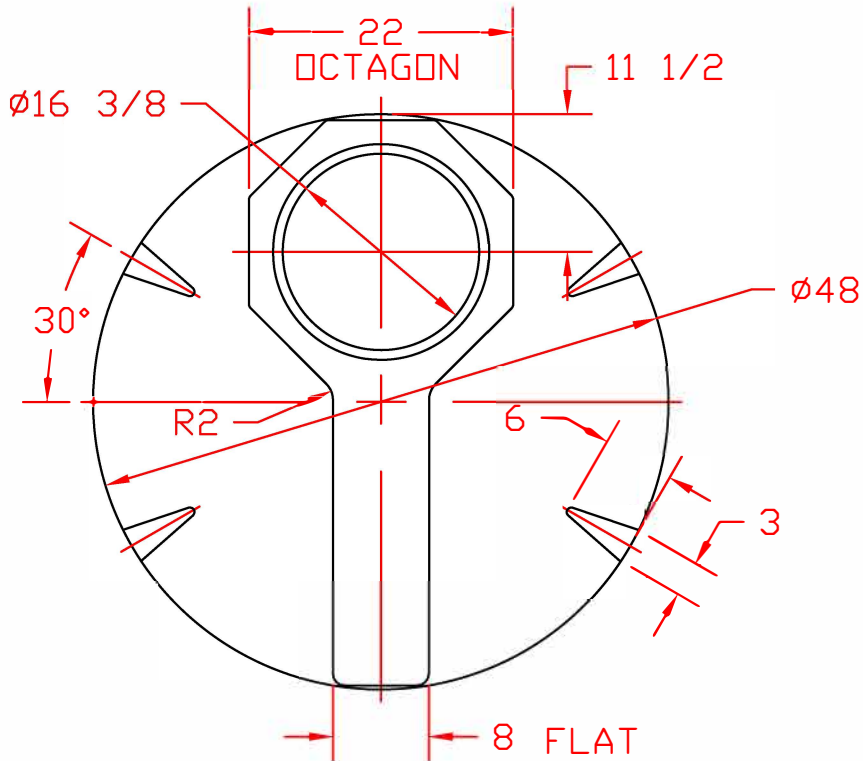


REVISIONS				
ZONE	REV	DESCRIPTION	DATE	APPROVED
	A	DIMENSION ADDED	24 JAN 05	



300gal Cone Bottom w/ PE Stand

JTP 15APR97

SIZE  
A

FSCM NO.

DWG NO.

HPTC-62343JP-NW

REV  
A

SCALE 1/16

SHEET