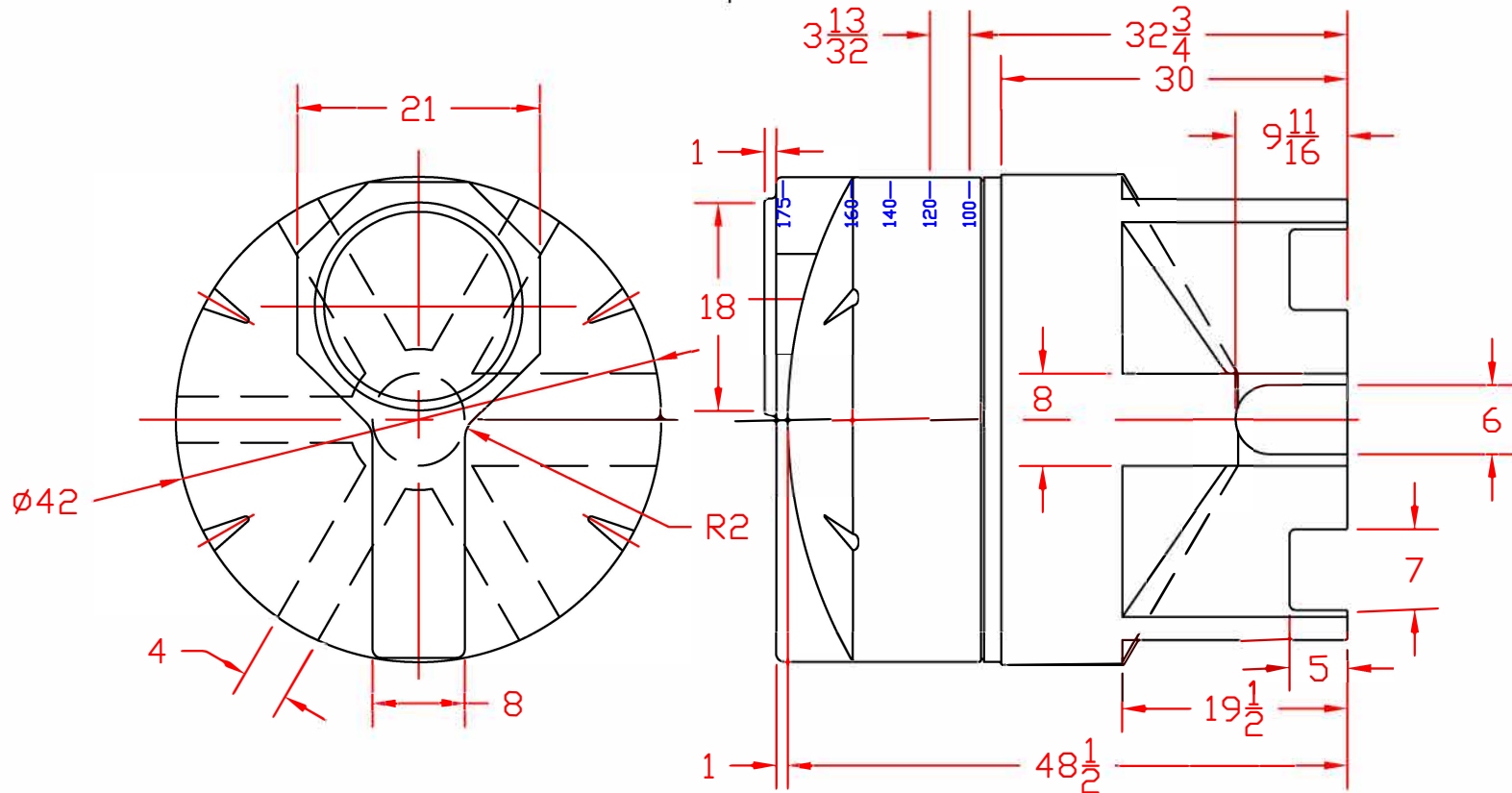


REVISIONS				
ZONE	REV	DESCRIPTION	DATE	APPROVED
	B	REDRAWN W/ 16" LID	23JAN02	



	HPTC-60113JP-NW			
	175gal Cone Bottom w/ PE Stand			
JTP	23JAN02	SIZE A	FSCM NO.	DWG NO.
		SCALE 1/16		SHEET
				REV B