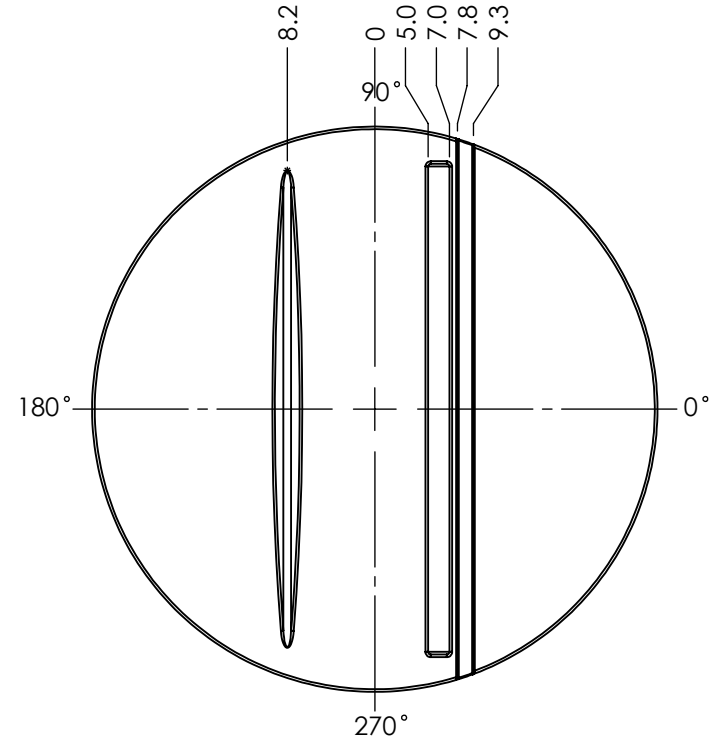



GALLON/LITER MARKS @ 270°



NOTE:
 TANK CAN BE SOLD WITH OPTIONAL STAND. [TANK WITH STAND DRAWING](#)
 GALLON MARKS CAN BE REMOVED FOR FITTING PLACEMENT AS NEEDED.

	LID STYLE	TANK P/N	LID DRAWING
STANDARD	VOT	5770000N__00	SHOWN
OPTIONAL	BLTD	5770000N__98	D002817
OPTIONAL	HNGD	5770000N__99	D002830

DO NOT SCALE		DRAWN BY	DATE		TITLE:	ASB TK 440VOT X 48	REVISION	
STATUS:	Released	IGG	10/06/2014			A		
HPTC-57700AA-SI					PART NO.	5770000N	ENG. ID.	D002982

*ALL EXTERNAL PIPING MUST BE INDEPENDENTLY SUPPORTED.
 *ONLY BASE FITTINGS TO BE LEFT INSTALLED AT TIME OF SHIPMENT PER SII PROCEDURE.
 *Consult Snyder's Guidelines for Use and Installation prior to delivery.
 Available on-line at
 ALL DIMENSIONS ARE IN INCHES, NOMINAL, & SUBJECT TO CHANGE WITHOUT NOTICE.
 ALL DIMENSIONS ON ROTATIONAL MOLDED PARTS ARE SUBJECT TO A ± 3% TOLERANCE.