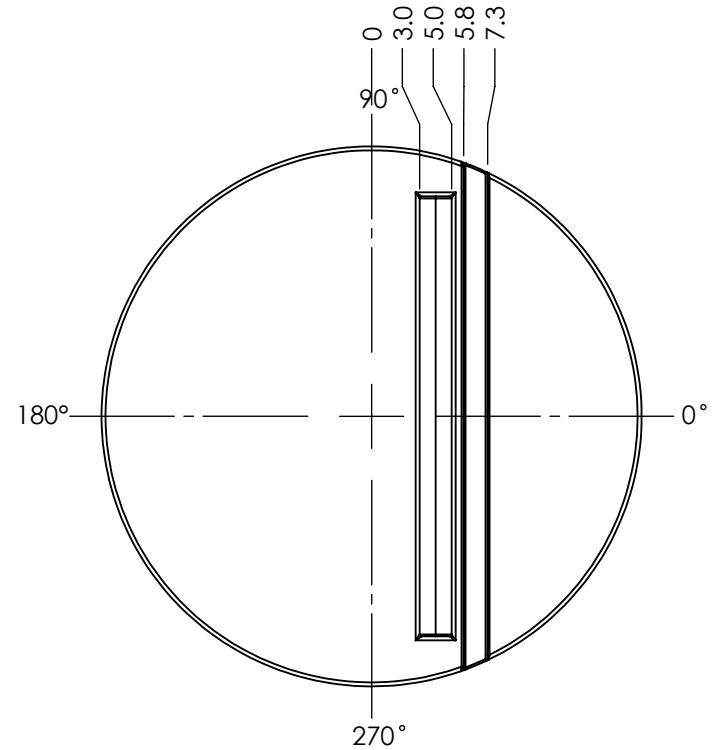


GALLON/LITER MARKS @ 270°



NOTE:
 TANK CAN BE SOLD WITH OPTIONAL STAND. [TANK WITH STAND DRAWING](#)
 GALLON MARKS CAN BE REMOVED FOR FITTING PLACEMENT AS NEEDED.

	LID STYLE	TANK P/N	LID DRAWING
STANDARD	VOT	5710000N__00	SHOWN
OPTIONAL	BLTD	5710000N__98	D002813
OPTIONAL	HNGD	5710000N__99	D002820

***ALL EXTERNAL PIPING MUST BE INDEPENDENTLY SUPPORTED.**
***ONLY BASE FITTINGS TO BE LEFT INSTALLED AT TIME OF SHIPMENT PER SII PROCEDURE.**
***Consult Snyder's Guidelines for Use and Installation prior to delivery.**
 Available on-line at
 ALL DIMENSIONS ARE IN INCHES, NOMINAL, & SUBJECT TO CHANGE WITHOUT NOTICE.
 ALL DIMENSIONS ON ROTATIONAL MOLDED PARTS ARE SUBJECT TO A ± 3% TOLERANCE.

DO NOT SCALE		DRAWN BY	TITLE	REVISION
Released		IGG	ASM TK 150VOT X 30	A
HPTC-57100AA-SI			PART NO.	SHEET
			5710000N	1 OF 1
			ENG. ID.	
			D002966	