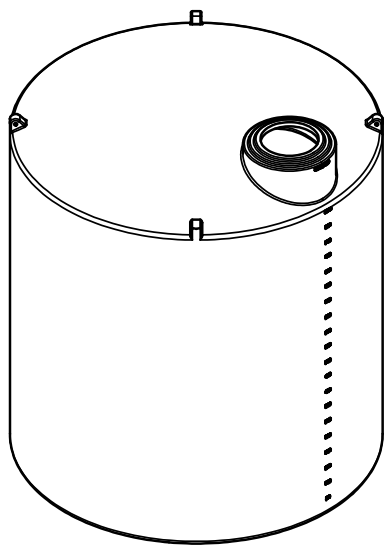
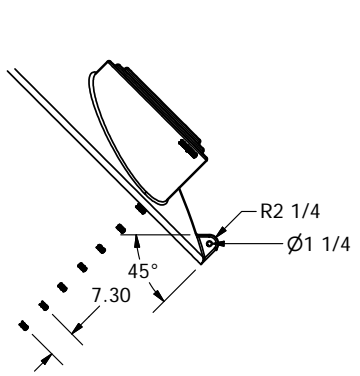



DETAIL A  
SCALE 1 / 16



DRAWN Jerry Paulson	4/6/2012	TITLE 11,000 GALLON VERTICAL TANK X 144 DIAMETER		
CHECKED				
QA		SIZE B		DWG NO <b>HPTC-44011-NW</b>
MFG				
APPROVED		SCALE: 1/32		REV
		SHEET 1 OF 1		