
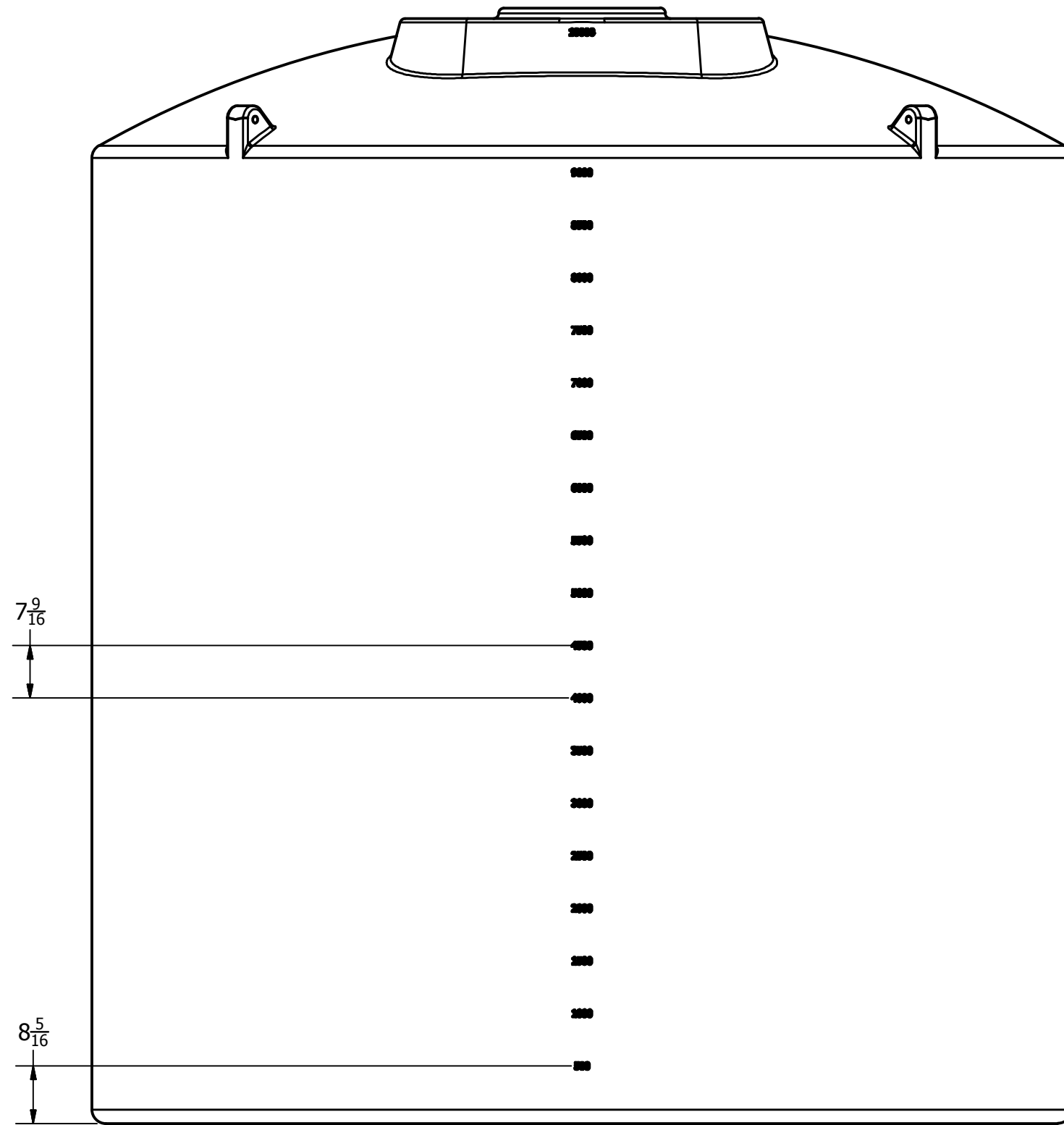


SECTION A-A
SCALE 1:12

FOB HANFORD, CA

REVISION HISTORY				
REV	DESCRIPTION	DATE	AUTHOR	
A	REDRAWN	6/28/2013	Michael Holden	
DRAWN Jerry Paulson		2/23/2001	TITLE 10000 GALLON VERTICAL TANK 	
CHECKED				
QA				
MFG				
APPROVED				
		SIZE B	DWG NO HPTC-43130-NW	REV A
		SCALE: 1/16	SHEET 1 OF 2	



DRAWN Jerry Paulson	2/23/2001	TITLE 10000 GALLON VERTICAL TANK			REV A
CHECKED					
QA		SIZE B	DWG NO	SHEET 2 OF 2	
MFG					
APPROVED		SCALE: 1/16			

