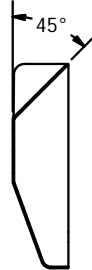
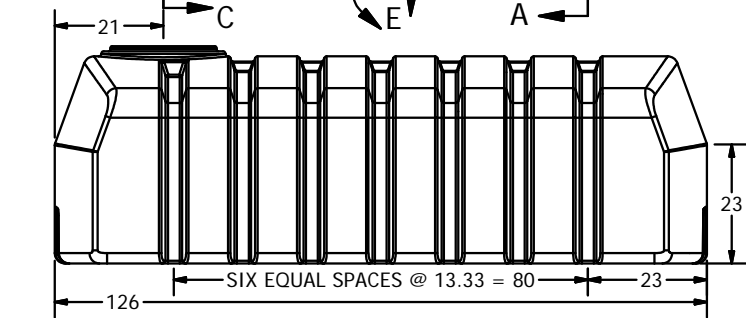


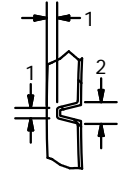
DETAIL E
SCALE 1 / 12



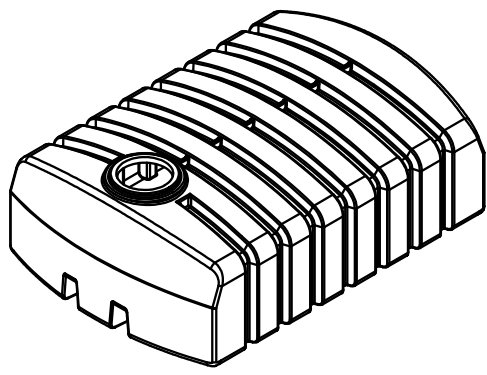
SECTION F-F
SCALE 1:24



SECTION A-A
SCALE 1:24



DETAIL B
SCALE 1 / 12



FOB ST BONIFACIUS MN AND LANCASTER OH

DRAWN Jerry Paulson		3/20/2009		TITLE	
CHECKED				1600 GALLON LOW PROFILE WATER TANK	
QA				H P	
MFG					
APPROVED				SIZE B	REV
		SCALE: 1/24		HPTC-43013LP-NW	
				SHEET 1 OF 1	