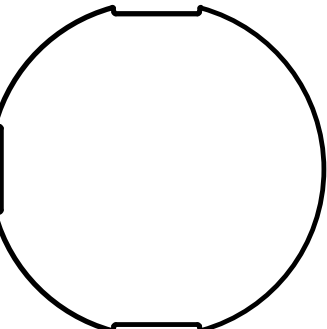
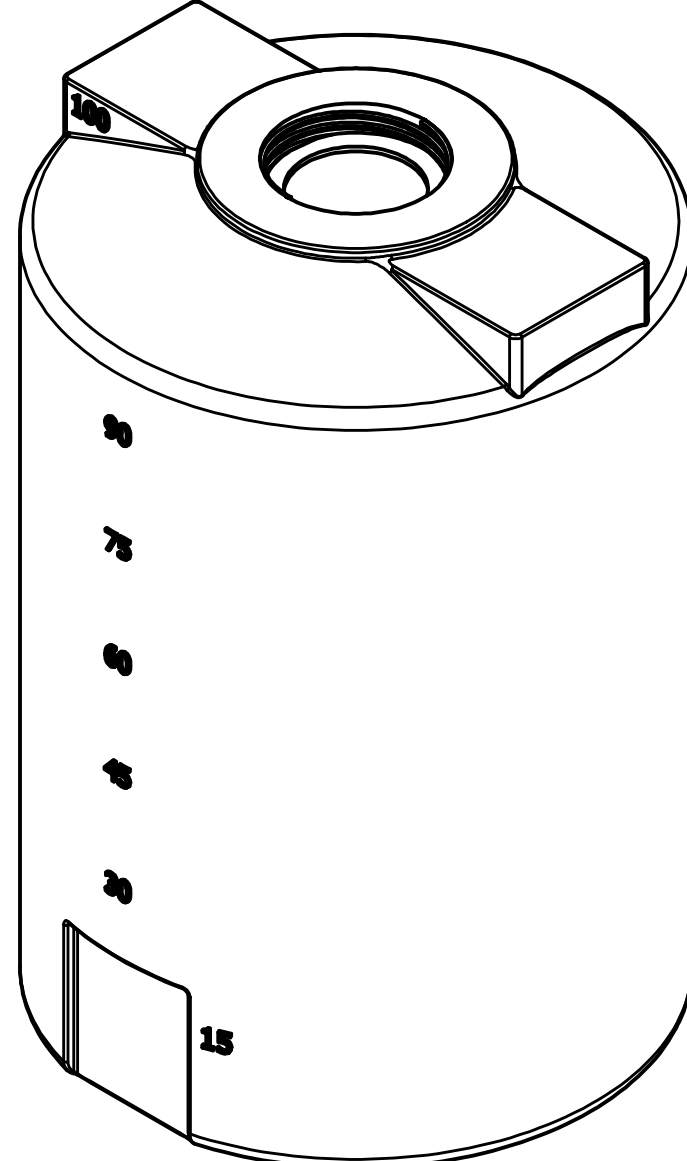


SECTION A-A  
SCALE 1:4



SECTION D-D  
SCALE 1:16



REVISION HISTORY			
REV	DESCRIPTION	DATE	AUTHOR
A	REDRAWN	7/1/2013	Michael Holden
DRAWN Jerry Paulson		6/6/2003	HPTC-41861-NW
CHECKED			
QA			TITLE
MFG			100 GALLON VERTICAL TANK X 28 DIAMETER
APPROVED			
		SIZE B	DWG NO
		SCALE: 1/16	REV A
			SHEET 1 OF 1

