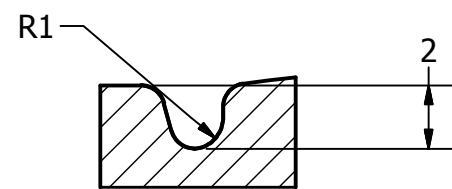

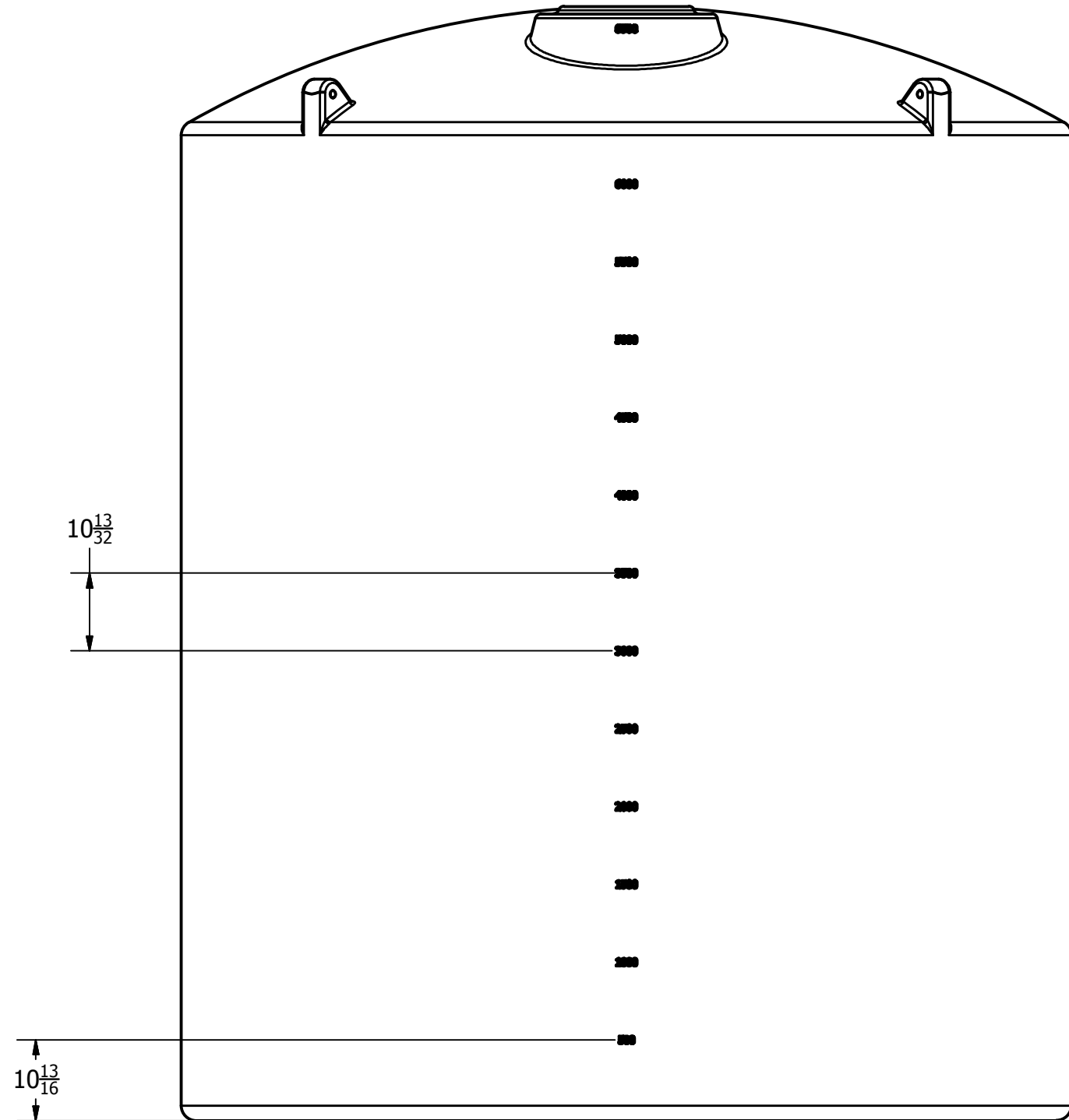



SECTION A-A
SCALE 1:12



SECTION B-B
SCALE 1:6

REVISION HISTORY			
REV	DESCRIPTION	DATE	AUTHOR
A	REDRAWN	6/28/2013	Michael Holden
DRAWN Jerry Paulson		8/26/1994	TITLE 6500 GALLON VERTICAL TANK 
CHECKED			
QA			
MFG			
APPROVED			
SIZE B		DWG NO HPTC-40232-NW	REV A
SCALE: 1/16		SHEET 1 OF 2	



DRAWN Jerry Paulson	8/26/1994	TITLE 6500 GALLON VERTICAL TANK 		
CHECKED				
QA				
MFG				
APPROVED		SIZE B	DWG NO	REV A
		SCALE: 1/16	SHEET 2 OF 2	