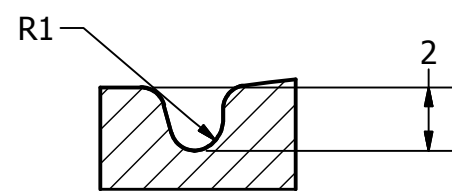

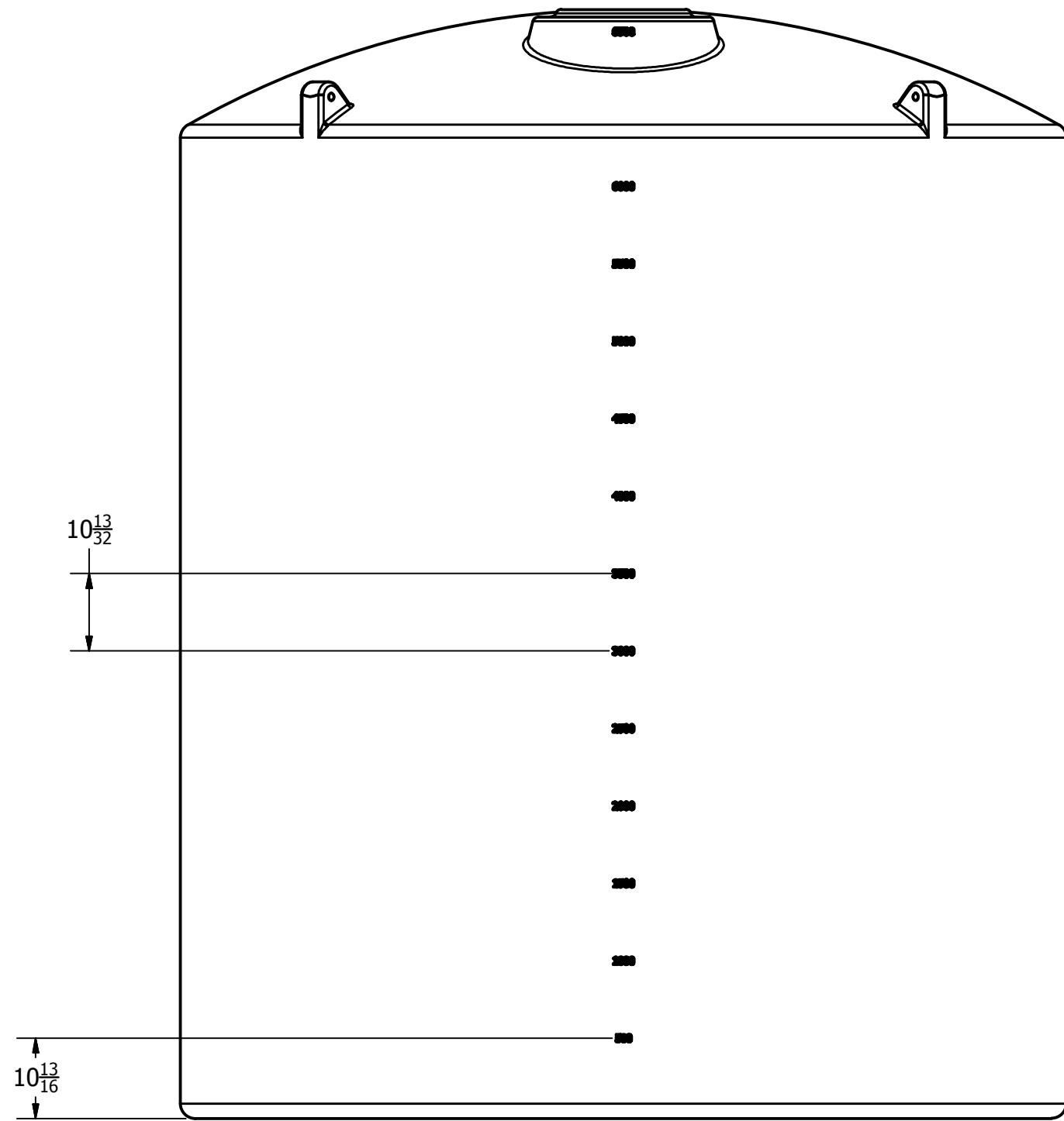



SECTION A-A  
SCALE 1:12



SECTION B-B  
SCALE 1:6

REVISION HISTORY			
REV	DESCRIPTION	DATE	AUTHOR
A	REDRAWN	6/28/2013	Michael Holden
DRAWN Jerry Paulson		8/26/1994	TITLE  <b>6500 GALLON VERTICAL TANK</b>  
CHECKED			
QA			
MFG			
APPROVED			
		SIZE <b>B</b>	<b>HPTC-40224-NW</b>
		SCALE: 1/16	REV A
			SHEET 1 OF 2



DRAWN Jerry Paulson	8/26/1994	TITLE		
CHECKED				
QA		6500 GALLON VERTICAL TANK 		
MFG				
APPROVED				
		SIZE <b>B</b>	DWG NO	REV A
		SCALE: 1/16	SHEET 2 OF 2	