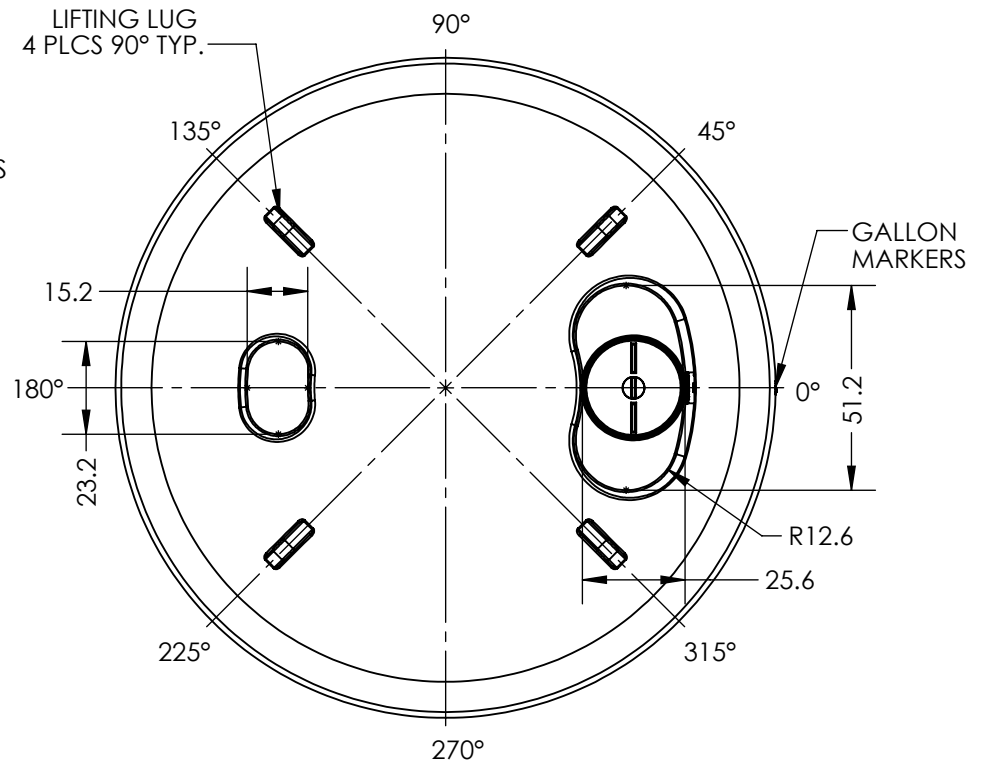
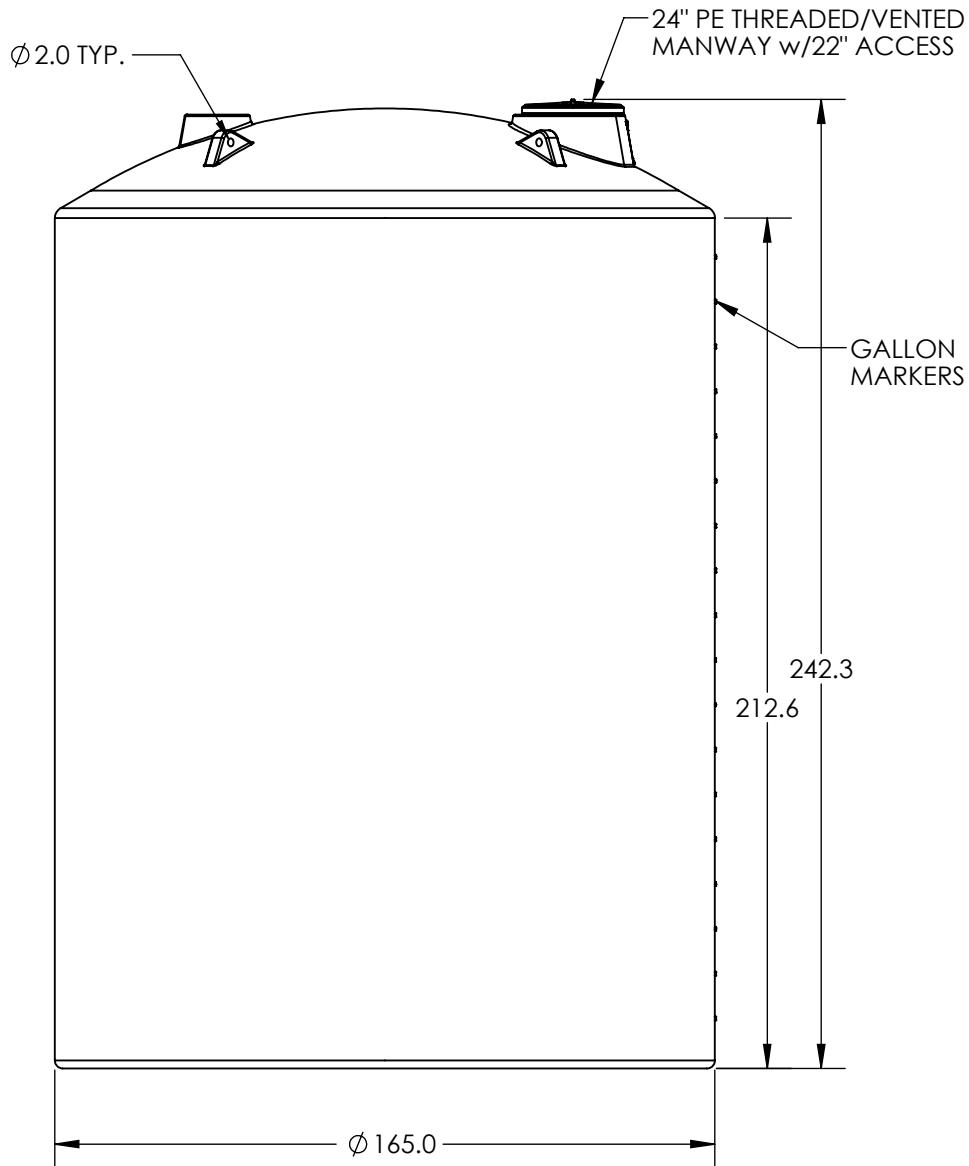


BRIMFUL CAPACITY: 20000 GALLONS



NOTE:
GALLON MARKERS MAY BE REMOVED FOR FITTING PLACEMENT AS NEEDED

*ALL EXTERNAL PIPING MUST BE INDEPENDENTLY SUPPORTED.
 *ONLY BASE FITTINGS TO BE LEFT INSTALLED AT TIME OF SHIPMENT PER SII PROCEDURE.
 *Consult Snyder's Guidelines for Use and Installation prior to delivery.
 Available on-line at
 ALL DIMENSIONS ARE IN INCHES, NOMINAL, & SUBJECT TO CHANGE WITHOUT NOTICE.
 ALL DIMENSIONS ON ROTATIONAL MOLDED PARTS ARE SUBJECT TO A \pm 3% TOLERANCE.

DO NOT SCALE		DRAWN BY	TITLE	REVISION
Released		BH	ASM TK 18800V X 165 NH	A
HPTC-30300-SI			PART NO.	SHEET
			3030000N	1 OF 1
			ENG. ID.	
			D006823	