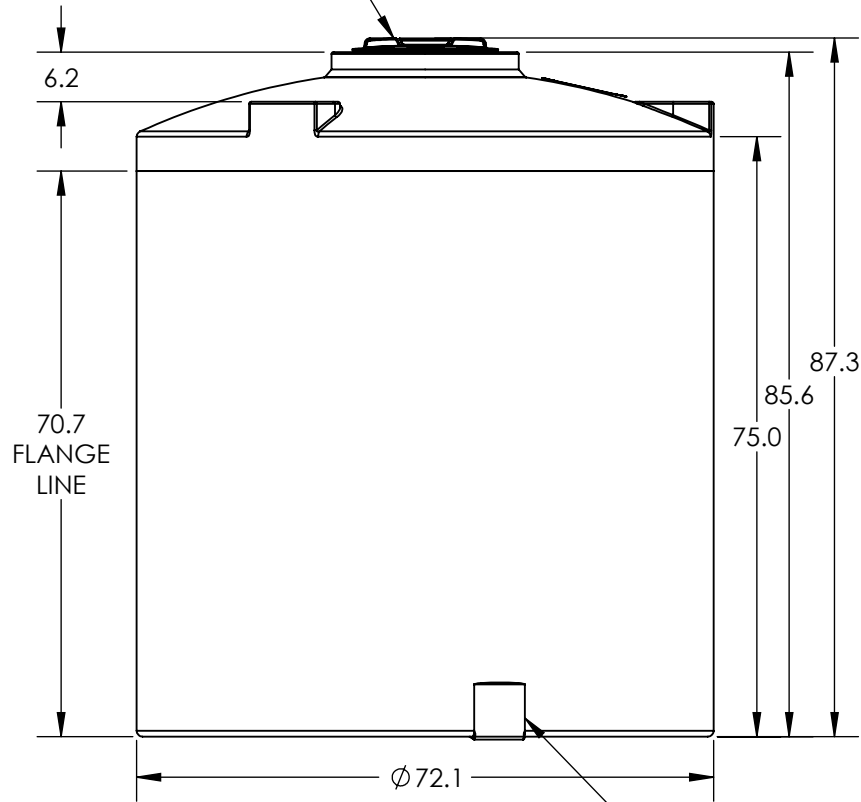
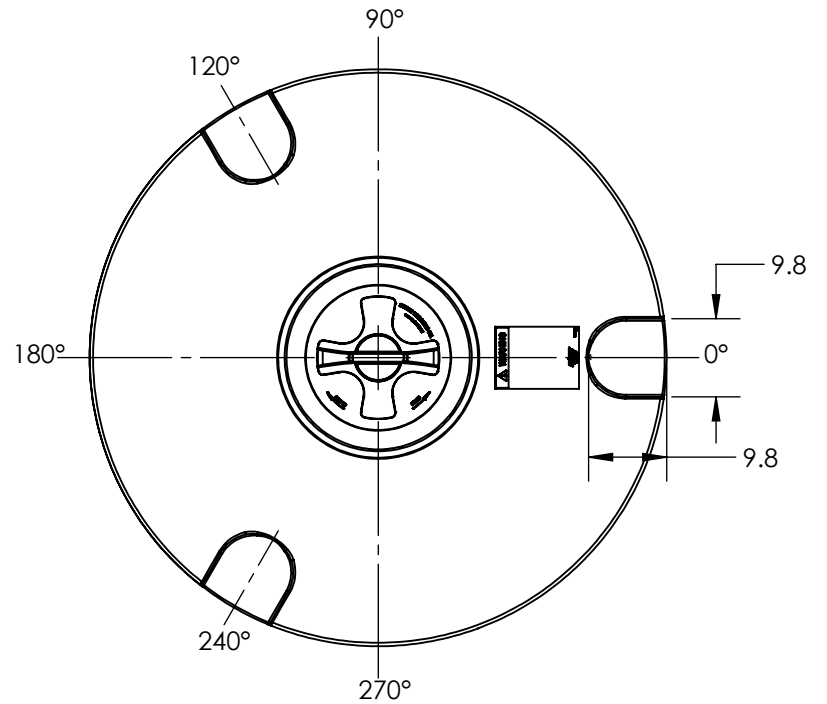


18" PE THREADED/VENTED
MANWAY w/ 15" ACCESS



S.U.M.O. FITTING NOT
AVAILABLE ON THIS TANK



***ALL EXTERNAL PIPING MUST BE INDEPENDENTLY SUPPORTED.**
***ONLY BASE FITTINGS TO BE LEFT INSTALLED AT TIME OF SHIPMENT PER SII PROCEDURE.**
***TANKS ORDERED WITH FOAM INSULATION WILL HAVE AN INCREASED DIAMETER OF 4-6 INCHES.**
***Consult Snyder's Guidelines for Use and Installation prior to delivery.**
 Available on-line at <http://www.snyderindustriestanks.com/Technical>

ALL DIMENSIONS ARE IN INCHES, NOMINAL, & SUBJECT TO CHANGE WITHOUT NOTICE.
 ALL DIMENSIONS ON ROTATIONAL MOLDED PARTS ARE SUBJECT TO A \pm 3% TOLERANCE.

DO NOT SCALE		DRAWN BY		TITLE	REVISION
STATUS:	Released	ETS		ASM TK 1300VDT X 72	A
HPTC-18304-SI				PART NO.	SHEET
		1830400N__01		ENG. ID.	D001124