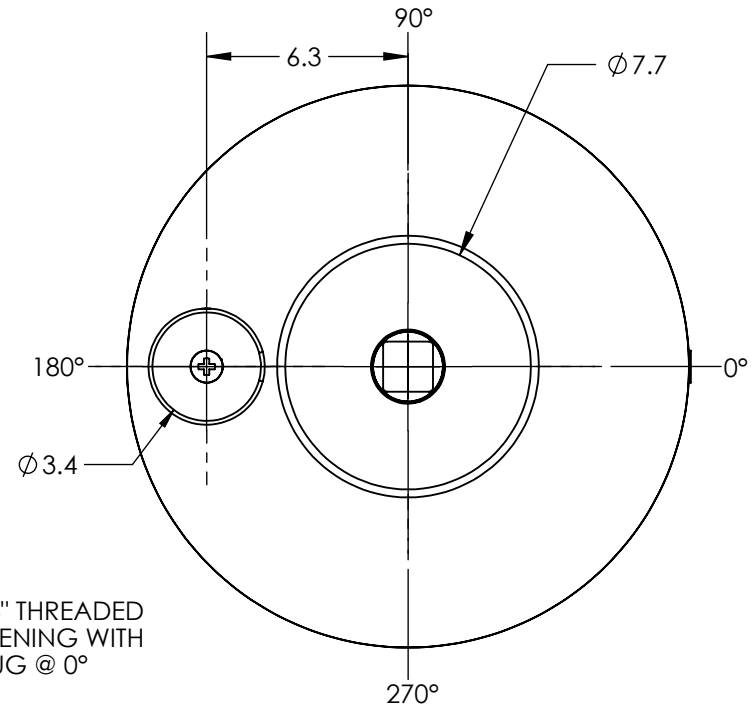
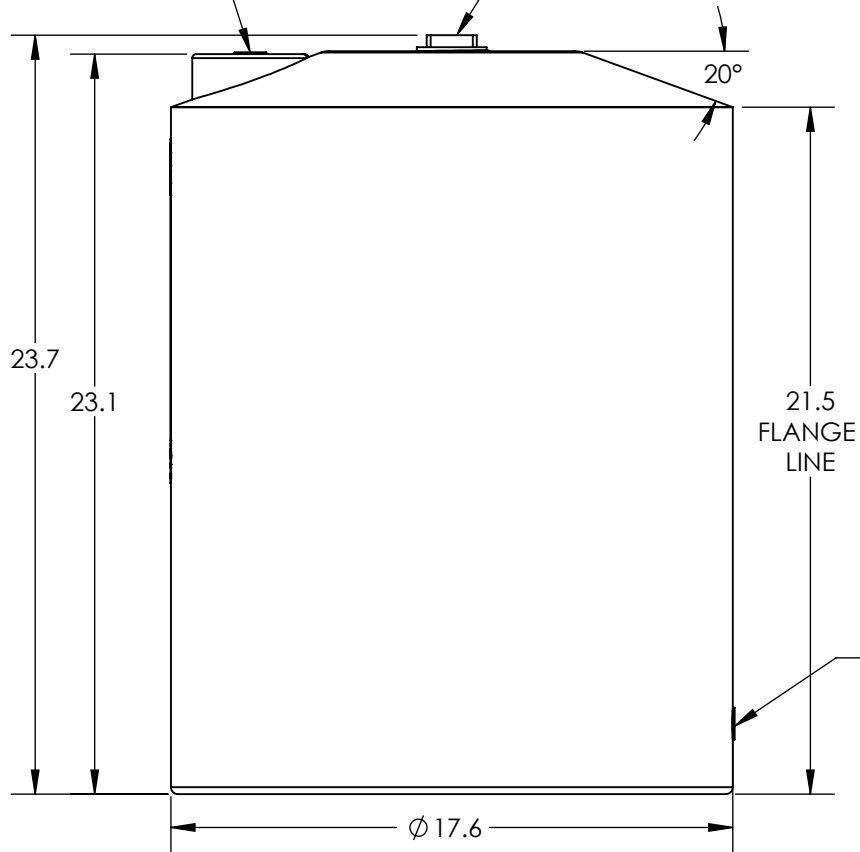


3/4" THREADED  
OPENING WITH PLUG

2" THREADED  
OPENING WITH PLUG



**BASE FITTINGS TO BE INSTALLED AT TIME OF SHIPMENT**

**\*ALL EXTERNAL PIPING MUST BE INDEPENDENTLY SUPPORTED.**  
**\*ONLY BASE FITTINGS TO BE LEFT INSTALLED AT TIME OF SHIPMENT PER SII PROCEDURE.**  
**\*Consult Snyder's Guidelines for Use and Installation prior to delivery.**  
 Available on-line at  
 ALL DIMENSIONS ARE IN INCHES, NOMINAL, & SUBJECT TO CHANGE WITHOUT NOTICE.  
 ALL DIMENSIONS ON ROTATIONAL MOLDED PARTS ARE SUBJECT TO A ± 3% TOLERANCE.

DO NOT SCALE		DRAWN BY	TITLE	REVISION
STATUS: <b>Released</b>	SB		<b>ASM TK 22VDT</b>	<b>A</b>
<b>HPTC-15300-SI</b>			PART NO. <b>153000N__01</b>	ENG. ID. <b>D009139</b>