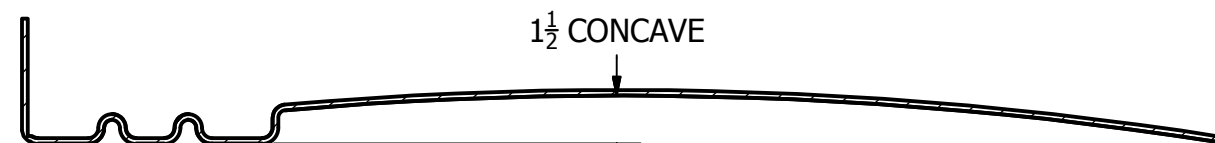
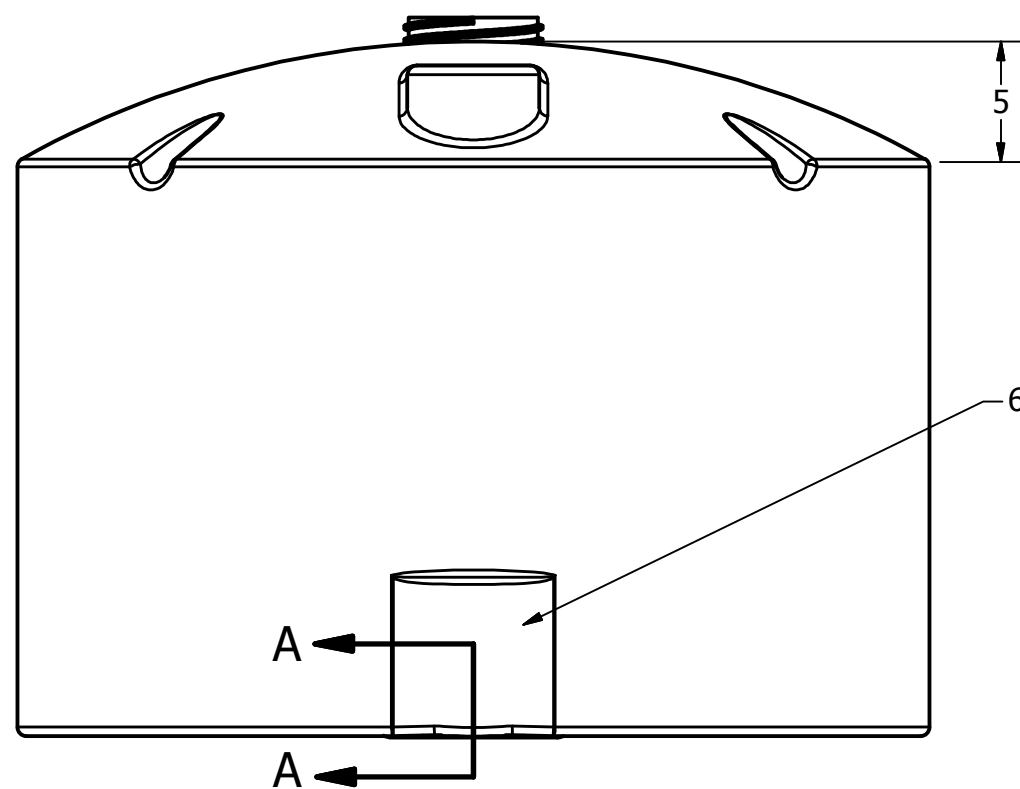
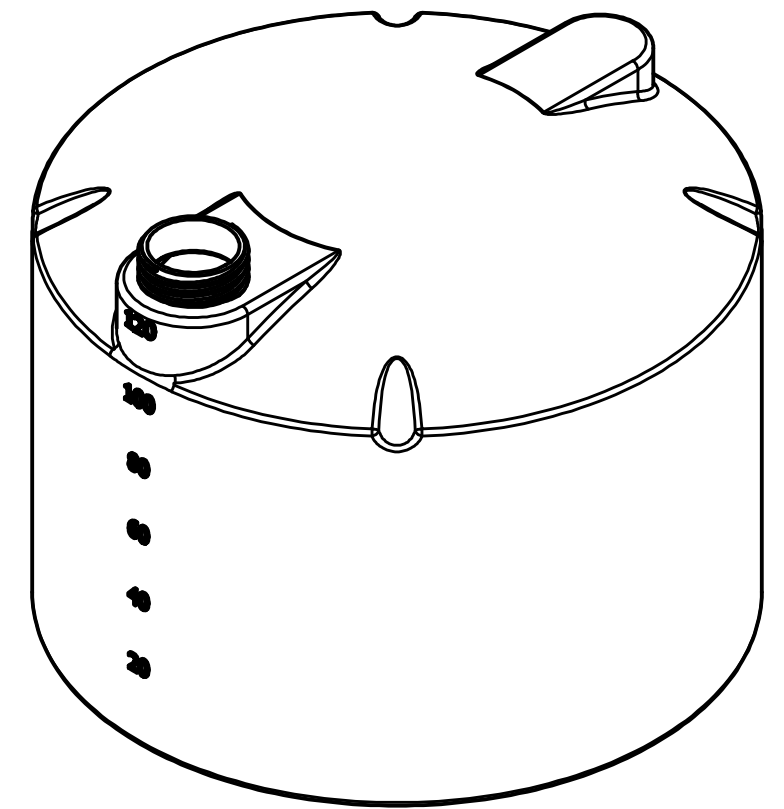
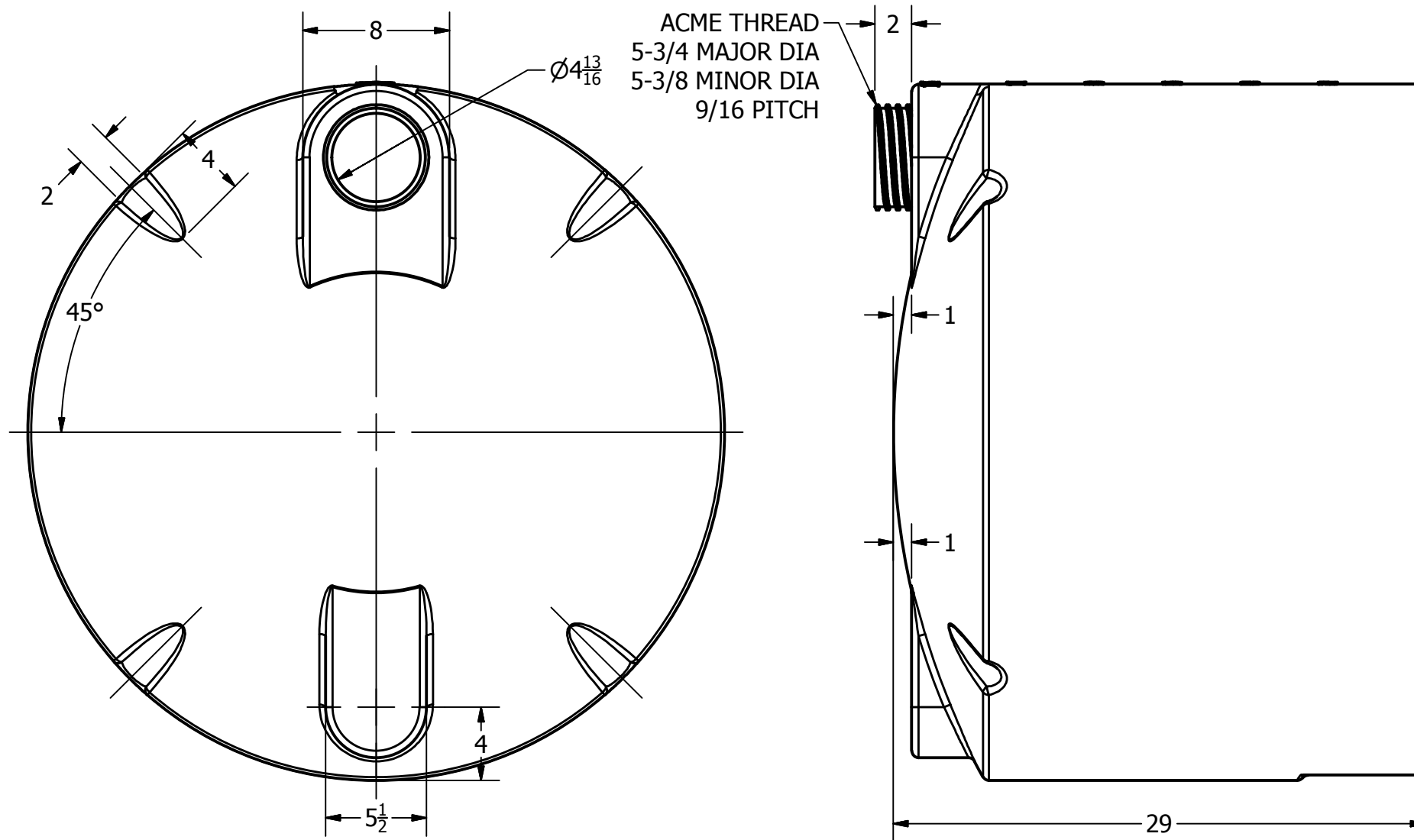



REVISION HISTORY

REV	DESCRIPTION	DATE	AUTHOR
B	REDRAWN	1/13/1997	
C	LID THREAD REVISED	2/9/2000	
D	WAS MINI BULK TANK	8/15/2011	
E	REDRAWN	7/16/2013	Michael Holden



SUMP WITH 4-SEGMENT LOCATOR FOR STANDPIPE

SECTION A-A  
SCALE 1 : 6

DRAWN Jerry Paulson	1/13/1997	Heritage Products (866) 839-1866	
CHECKED		Sales@heritagepro.com	
QA		TITLE	
MFG		120 GALLON VERTICAL TANK	
APPROVED			
		SIZE B	REV E
		SCALE: 1/16	SHEET 1 OF 2

120 GALLON VERTICAL TANK

HPTC-43862W-NW