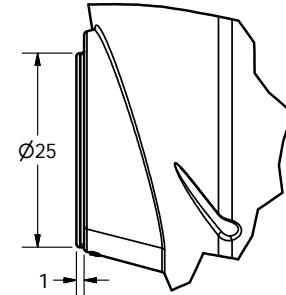
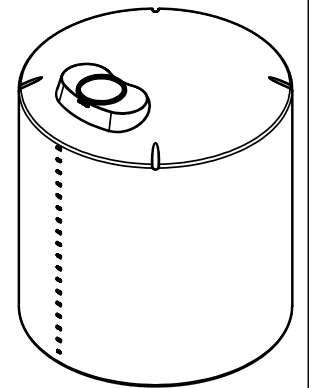



REVISION HISTORY			
REV	DESCRIPTION	DATE	AUTHOR
A	REVISED MANWAY FOR 22 LID	8/11/2009	Jerry Paulson



DETAIL A
SCALE 1 / 16



DRAWN Jerry Paulson	12/19/2006	TITLE 10000 GALLON VERTICAL TANK		
CHECKED				
QA				
MFG				
APPROVED		SIZE B	HPTC-43132W-NW	REV A
		SCALE: 1/32	SHEET 1 OF 1	