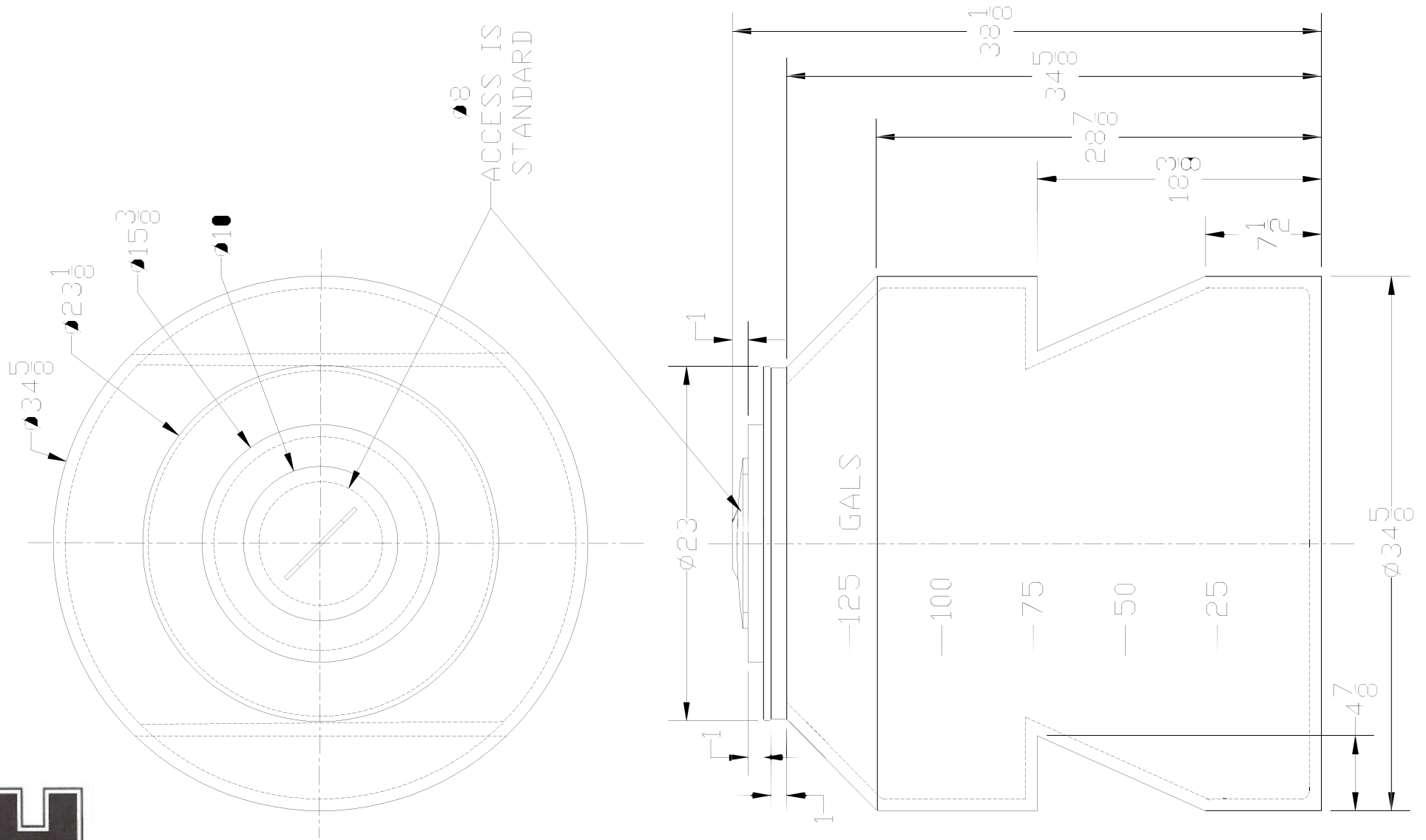




THIS DRAWING & DESIGN IS THE PROPERTY OF CHEM-TAINER INDUSTRIES INC. IT MAY NOT BE USED FOR ANY PURPOSE OTHER THAN BY THE OWNER. DOES NOT AUTHORIZE THE REPRODUCTION OR CONVEYANCE OF ANY INFORMATION CONTAINED HEREIN.

ALL DIMENSIONS SHOWN ARE OUTSIDE PART DIMENSIONS IN INCHES, AND VARY BY THE STANDARD ROTATIONAL MOLDING TOLERANCE OF ±2%.



Rev.	10/18/99	File Name	TC3536-1
HPTC-3536W-CT		Date	10/18/99
		Mold Location	CA
		Drawn By:	IJA
		Cust. Rep.	
TITLE			
110 GAL. VERTICAL BULK STORAGE TANK			
Part #		Dwg. #	
TC3536IA/IC		C-3536-1A,15	