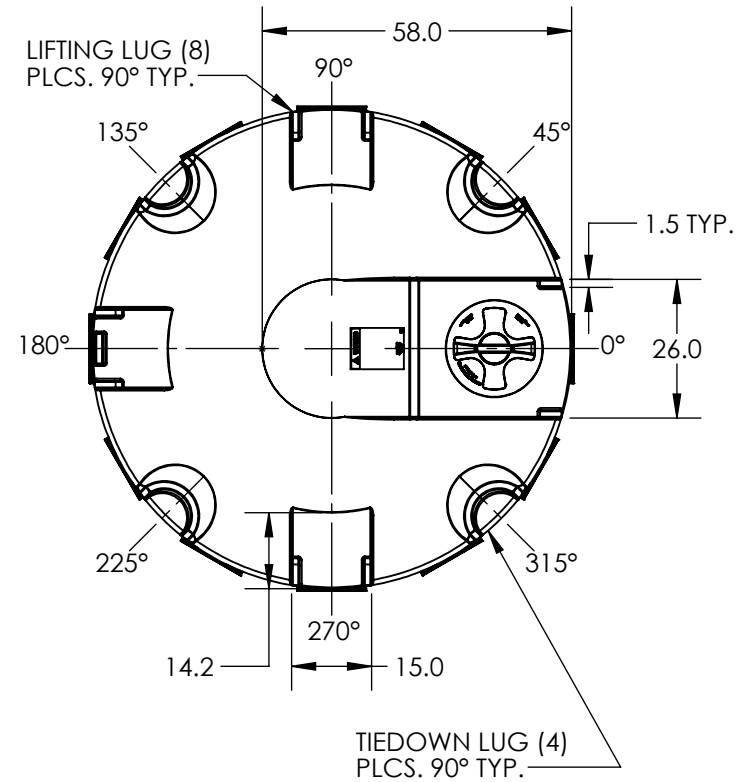


TANK ONLY DRAWING

STAND ONLY DRAWING



***ALL EXTERNAL PIPING MUST BE INDEPENDENTLY SUPPORTED.**
***ONLY BASE FITTINGS TO BE LEFT INSTALLED AT TIME OF SHIPMENT PER SII PROCEDURE.**
***Consult Snyder's Guidelines for Use and Installation prior to delivery.**
 Available on-line at
 ALL DIMENSIONS ARE IN INCHES, NOMINAL, & SUBJECT TO CHANGE WITHOUT NOTICE.
 ALL DIMENSIONS ON ROTATIONAL MOLDED PARTS ARE SUBJECT TO A ± 3% TOLERANCE.

DO NOT SCALE	DRAWN BY
STATUS:	IGG
HPTC-54400JC-SI	



TITLE:	3900 GALLON 30° CONE BOTTOM TANK W/ STAND	REVISION	A
ENG. ID.	A006560	SHEET	1 OF 1