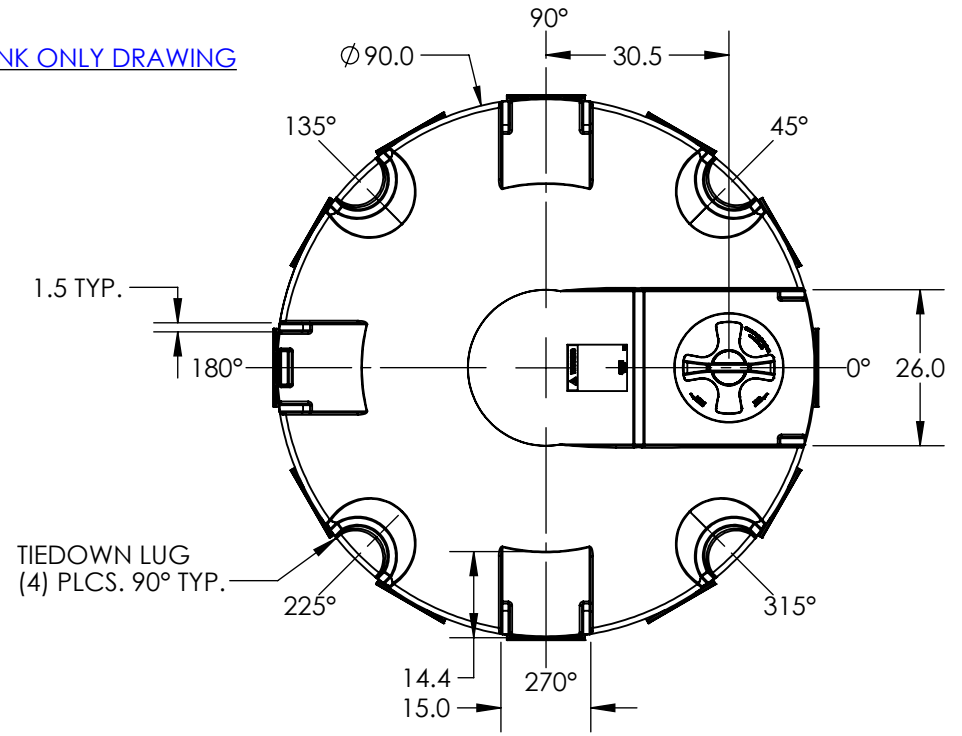


TANK ONLY DRAWING

STAND ONLY DRAWING



***ALL EXTERNAL PIPING MUST BE INDEPENDENTLY SUPPORTED.**
***ONLY BASE FITTINGS TO BE LEFT INSTALLED AT TIME OF SHIPMENT PER SII PROCEDURE.**
***Consult Snyder's Guidelines for Use and Installation prior to delivery.**
 Available on-line at
 ALL DIMENSIONS ARE IN INCHES, NOMINAL, & SUBJECT TO CHANGE WITHOUT NOTICE.
 ALL DIMENSIONS ON ROTATIONAL MOLDED PARTS ARE SUBJECT TO A ± 3% TOLERANCE.

DO NOT SCALE		DRAWN BY	TITLE	REVISION
STATUS: Released	IGG		2600 GALLON CONE BOTTOM TANK W/ STAND	A
HPTC-51000JC-SI				SHEET 1 OF 1
		PART NO. 510000N & 79400000	ENG. ID. A003976	