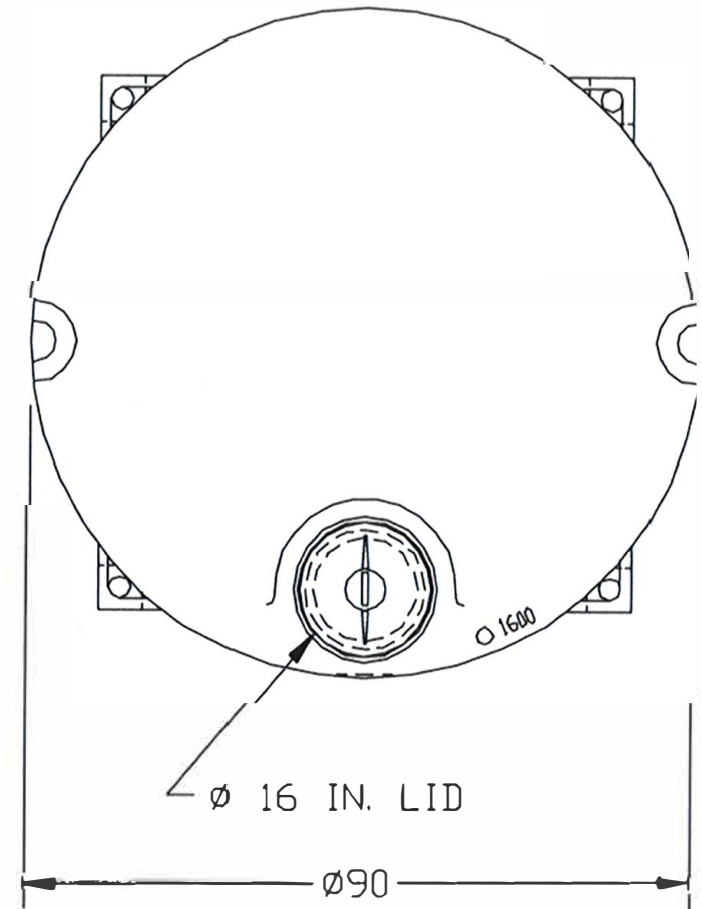


SIDE VIEW



TOP VIEW

THIS DRAWING & DESIGN IS THE PROPERTY OF IT MAY NOT BE USED FOR ANY PURPOSE OTHER THAN BY THE OWNER. DOES NOT AUTHORIZE THE REPRODUCTION OR CONVEYANCE OF ANY INFORMATION CONTAINED THEREIN.

part#  
**HPTA-9090JC-DH**

**HP**  
1600 GALLON CONICAL BOTTOM  
BULK STORAGE TANK WITH STAND

REV.	DATE
DATE	MOLD LOCATION
05/05/2005	
DRAWN BY: A.R.	CUST. REP.