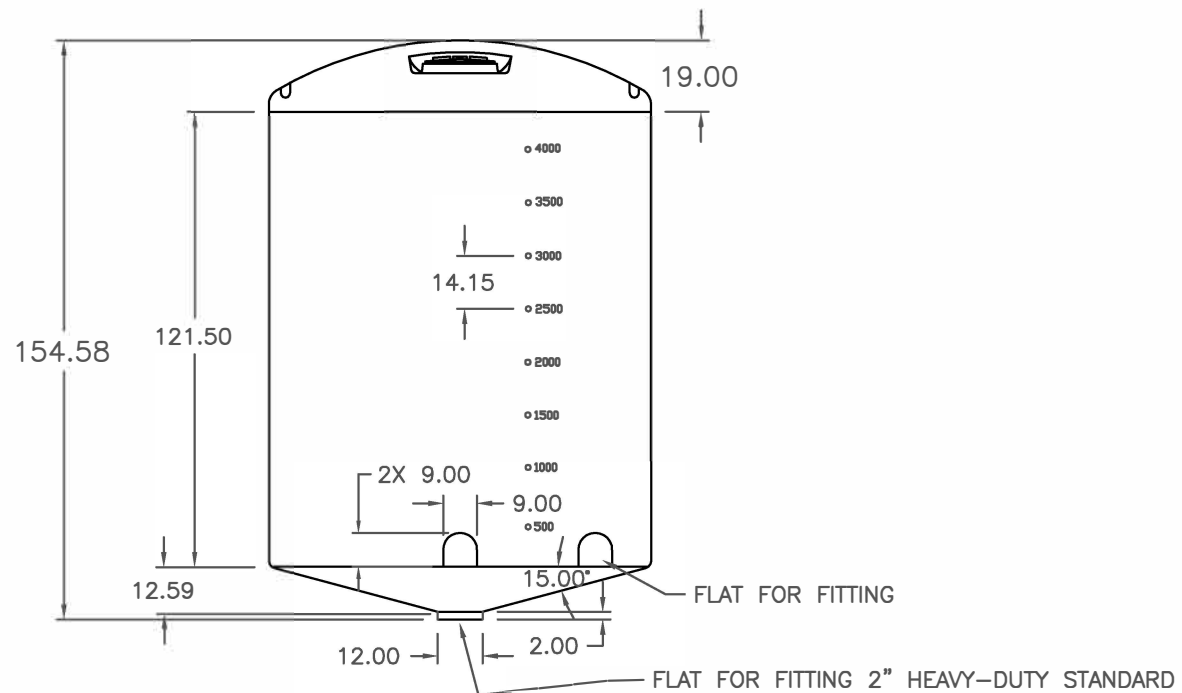
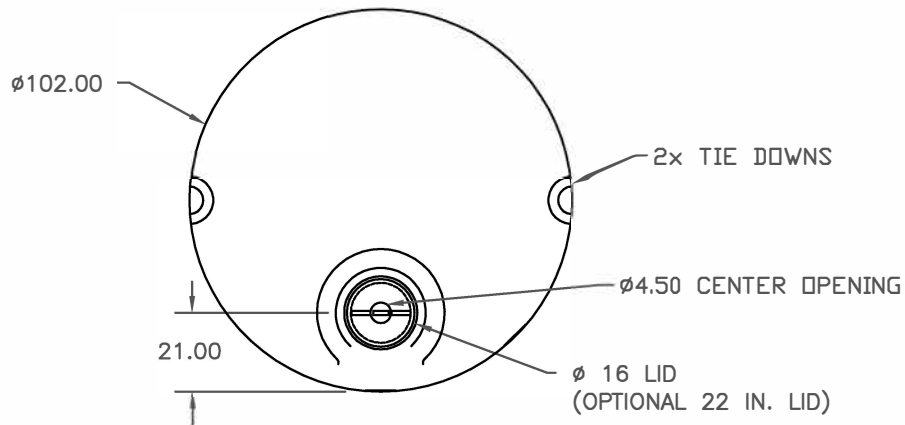




A



				DRAWN / DATE DHJ 4/15/04		MATERIAL			
				APPRD. / DATE REH 4/18/07		HDPE OR EQUIVALENT REFERENCE MATERIAL DATA SHEET FOR SPECIFIC PROPERTIES.			
A	ADDED TOTAL HEIGHT DIM.	6/29/06	NVE	REH 4/18/07				CLIENT / DESCRIPTION	
REV	DESCRIPTION	DATE	APPRD					4600 GALLON $\phi 102''$ 15° CONE BOTTOM TANK	
ALL DIMENSIONS ARE IN DECIMAL INCHES TOLERANCES UNLESS OTHERWISE SPECIFIED $\pm 1\% @ 68^\circ F$				THIRD ANGLE PROJECTION ANSI 14.5M 		NOTES: 1. WHITE OR YELLOW COLOR 2. SHOT WEIGHT 1200 LBS.		SCALE N.S.	
								PART NO. <b>HPTA-4600JC-DH</b>	