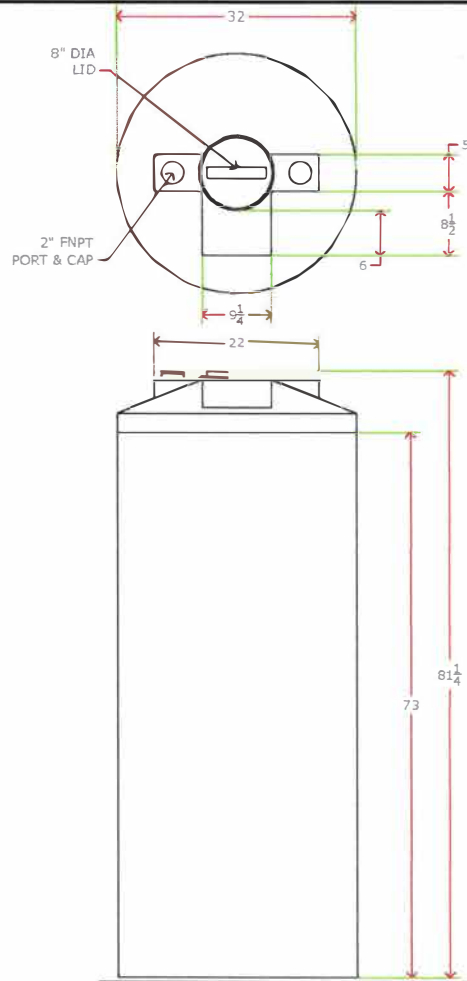



Heritage Products

Sales@heritagepro.com

(866) 839-1866



#	Part	Description
		<b>HPR-165DCE-RO</b>
Drwn By:	PC	Related Items: 
Date:	11/11/10	
Appr. By:		
Date:		
Rev.:		
Description:		ECONOMY DUAL CONTAINMENT
Drawing:		DCE165

Rev	Description	Date	Notes

**NOTICE**  
 This drawing and it's contents are for the specific use of Ronco customers only. It is not to be duplicated or copied without expressed written consent of Ronco Plastics Inc. We reserve the right to modify this drawing without notice.